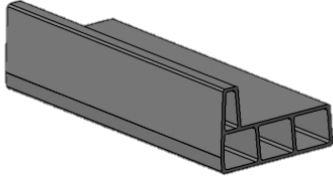
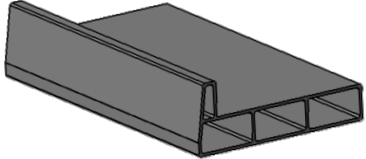
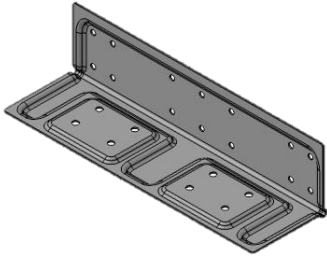
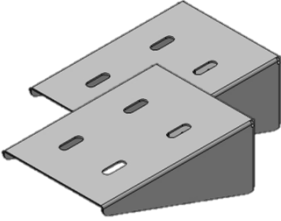








# RESU Optional Components

For 3.3kWh / 6.5kWh / 10kWh Battery Packs

# Optional Components

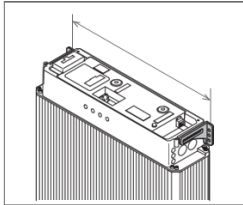


Item	RESU 3.3 / RESU 6.5				RESU 10							
Baseplate					1	EA					1	EA
					1						EA	
Wall Mounting Plate					1	EA					2	EA
					14						EA	
	Anchor Bolt 	Hexagon head Bolt 	Flat Washer(2EA) 		Set Anchor Bolt 		Hexagon head Bolt 	Flat Washer(2EA) 				

## ※ Caution

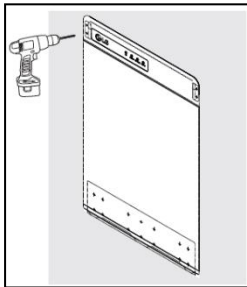
Even if battery pack is installed on a Baseplate or Shelf, make sure that the essential parts, Mounting Brackets, must install to prevent the battery pack from moving.

### Step 1



Determine the optimal location for RESU pack, the Mounting Brackets and Optional parts to be placed using the drill template.

### Step 2



Drill holes in the wall for the M6 (0.25 in) screw anchors. The drilling depth should be at least 50 mm.

The Mounting Brackets and Shelf must be bolted into a stud or a load-bearing wall.

### Step 3

Position and place the Baseplate on the floor or attached the Shelf into the studs. For the Shelf, flat side mounts flush with the wall and two bumps attached to the bottom part of the RESU pack.

#### Option #1

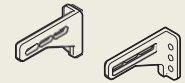
Place the RESU Pack on the Baseplate.

#### Option #2

Place the RESU Pack on the Shelf.

Use the Flange Bolt and Flat Washer to firmly attached the RESU pack to the Shelf.

### [Essential parts]

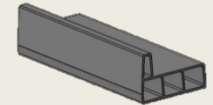


Mounting Brackets

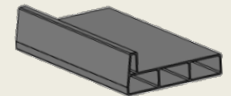
### [Optional parts]

#### ▪ Baseplate

- RESU3.3 / 6.5

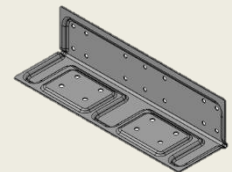


- RESU10

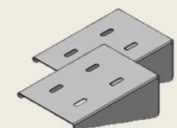


#### ▪ Shelf

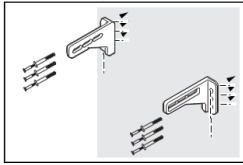
- RESU3.3 / 6.5



- RESU10



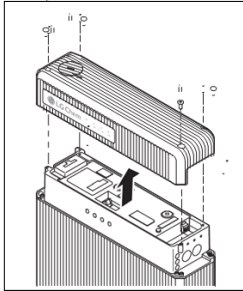
## Step 4



Drill holes in the wall for M6 ( $\frac{1}{4}$  in) screw anchors.  
The drilling depth should be at least 50mm.

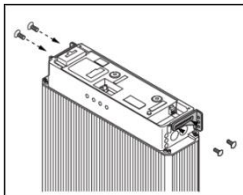
Drive the screw anchors through the Mounting Brackets into the holes.  
Tighten the screws to a torque of 5 N·m.

## Step 5



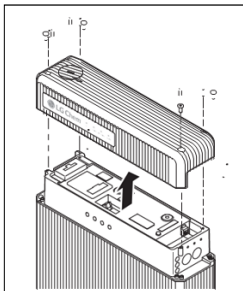
Remove the top cover of the RESU pack.  
Loosen the four hex-socket screws at each corner of the top cover, and then pull it upwards.

## Step 6



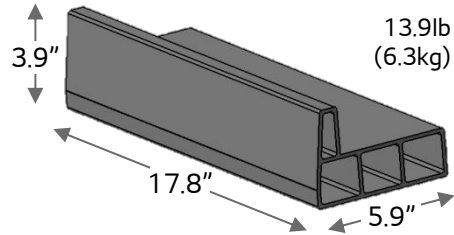
There are holes for Mounting Brackets on the top of the both sides of the RESU pack.  
Secure the mounting brackets to the holes using the M5 screws.  
Tighten them to a torque of 5 N·m.

## Step 7



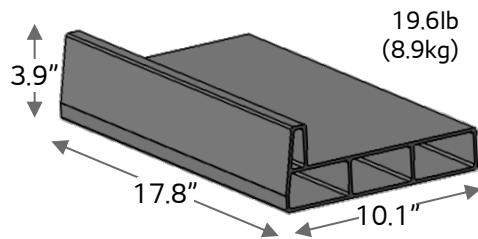
Cover the top cover of the RESU pack and tighten the four hex-socket screws at each corner of the top cover.  
Tighten the screws to a torque of 5 N·m.

## 1. Baseplate for RESU 3.3 / RESU 6.5

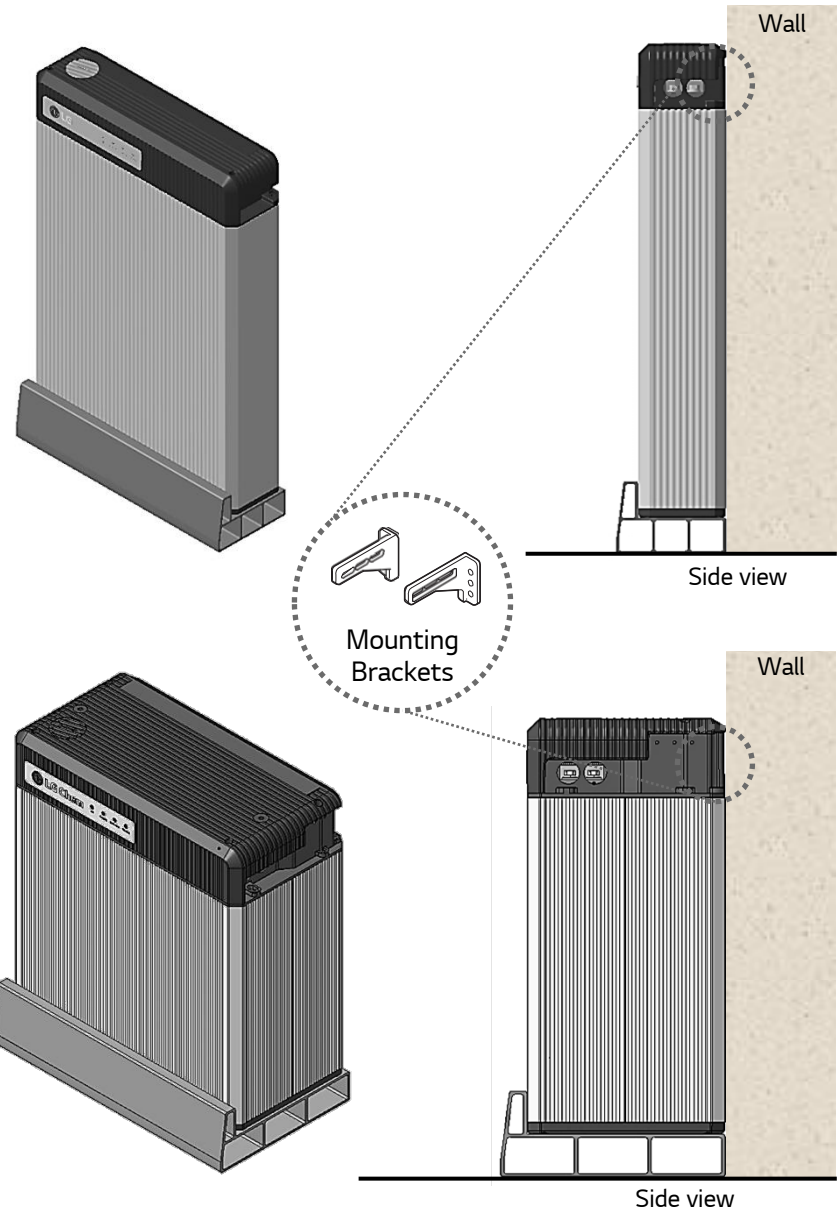


3.3/6.5kWh Physical Characteristics		
Width	in (mm)	17.8 (452)
Depth	in (mm)	5.9 (150)
Height	in (mm)	3.9 (100)
Material		Al

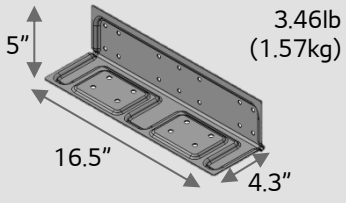



## 2. Baseplate for RESU 10

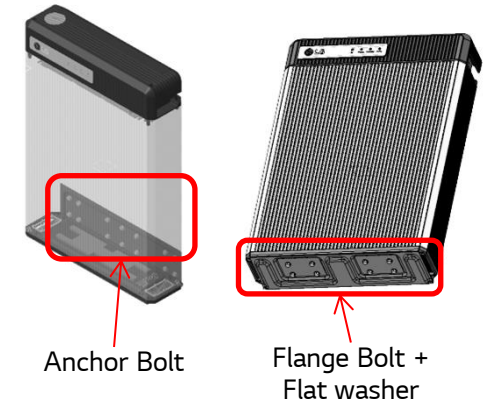


10kWh _ Physical Characteristics		
Width	in (mm)	17.8 (452)
Depth	in (mm)	10.1 (257)
Height	in (mm)	3.9 (100)
Material		Al

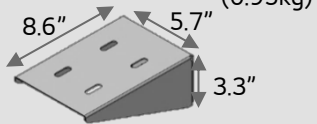





## 1. Shelf for RESU 3.3 / RESU 6.5

Item	Shelf	Anchor Bolt	Hexagon head Bolt	Flat Washer
Image				
Size	5" x 16.5" x 4.3" (216mm x 420mm x 109mm)	M6 x L25	M8 x L10	Thickness 1.6t
Q'ty	1 EA	14 EA	8 EA	16 EA
Material	Sheet iron (Hot dip Galvanizing)	-	-	SUS



## 2. Shelf for RESU 10

Item	Shelf	Set Anchor Bolt	Hexagon head Bolt	Flat Washer
Image				
Size	8.6" x 5.7" x 3.3" (219mm x 146mm x 85mm)	M8 x L62	M8 x L10	Thickness 1.6t
Q'ty	2 EA	8 EA	8 EA	16 EA
Material	Sheet iron (Hot dip Galvanizing)	-	-	SUS

