



# Installation Manual for EGING Solar PV Modules



CONTENTS

1. INTRODUCTION .....	1
2. RULES AND REGULATIONS .....	1
3. GENERAL INFORMATION .....	2
3.1 COMPONENTS OF MOUDLE .....	2
3.2 GENERAL SAFETY .....	3
3.3 ELECTRICAL SAFETY .....	4
3.4 INSTALLATION SAFETY .....	5
3.5 FIRE SAFETY .....	7
4. INSTALLATION CONDITION .....	7
4.1 SITE SELECTION AND WORK ENVIRONMENT .....	7
4.2 TILT ANGLE .....	8
5. MECHANICAL INSTALLATION .....	9
5.1 REGULAR REQUIREMENTS .....	9
5.2 MOUNTING METHOD .....	10
5.2.1 BOLTS MOUNTING .....	10
5.2.2 CLAMP MOUNTING .....	13
5.2.3 MOUNTING METHODS WITH SINGLE-AXIS TRACKER .....	17
5.2.4 COMPOSITE FRAME ASSEMBLY SCREW HOLE MOUNTING .....	20
6. ELECTRICAL INSTALLATION .....	23
6.1 WIRING AND CABLES .....	23
6.2 CONNECTORS .....	25
6.3 BYPASS DIODES .....	25
6.4 ELECTRICAL RATINGS .....	26
7. GROUNDING .....	26
8. OPERATION AND MAINTENANCE .....	27
8.1 MODULE APPEARANCE INSPECTION .....	27
8.2 CLEANING .....	27
8.3 INSPECTION OF CONNECTORS AND CABLES .....	29

# 1. INTRODUCTION

Thanks for choosing high quality modules from Changzhou EGing Photovoltaic Technology Co., Ltd (Hereinafter referred to as “EGing”)This Installation Manual contains essential information for the electrical and mechanical installation that you must know before installing EGING PV modules. This also contains safety information you need to be familiar with. All the information described in this manual are the intellectual property of EGING and based on the technologies and experiences that have been acquired and accumulated in the history of EGING.



This document does not constitute a warranty, expressed or implied. EGING does not assume responsibility and expressly disclaims liability for loss, damage, or expense arising out of or in any way connected with installation, operation, use or maintenance of the PV modules. No responsibility is assumed by EGING for any infringement of patents or other rights of third parties that may result from use of PV module. EGING reserves the right to make changes to the product, specifications or installation manual without prior notice.

# 2. RULES AND REGULATIONS

The mechanical and electrical installation of the module should obey local regulations, including electrical law, construction law and electricity connection requirements. These regulations are different in different installation site, such as the installation on the building roof, different installation environment of the power station. Requirements may also differ with the system voltage, the use of AC

or DC. For the specific terms, please contact local authority.

Before installing the PV module, contact appropriate authorities to determine permit, installation and inspection requirements that should be followed. Don't throw away the Modules Waste. Please contact local related departments or authorities.

### 3. GENERAL INFORMATION

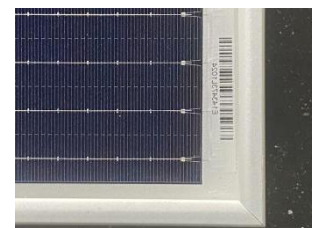
#### 3.1 COMPONENTS OF MOUDLE

The structure of module is shown in the figure below. Each module is pasted with three kinds of labels to provide the following information:

**Nameplate:** product type, rated power, rated current, rated voltage, open circuit voltage, short circuit current under testing conditions, certification indicator, maximum system voltage, etc.

**Current classification label:** Rated working current.

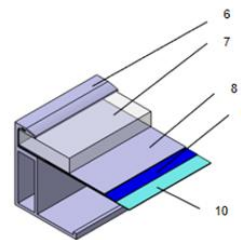
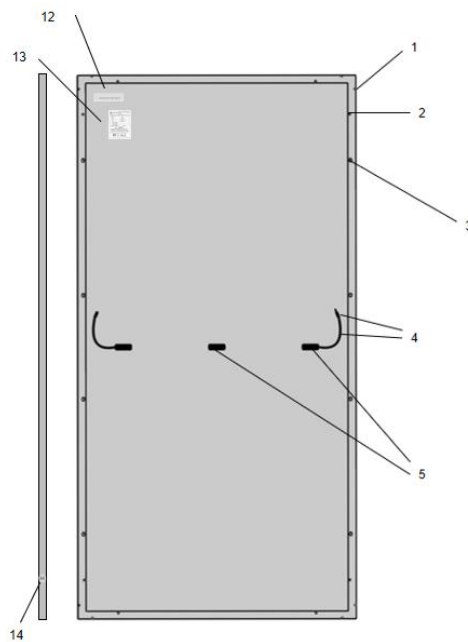
**Serial Number label:** A unique serial number which is laminated inside the module permanently which can be found in the front of the module.



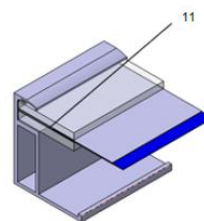
Nameplate

Current classification label

Serial Number label



Regular modules



Bifacial Modules

Figure 1 Regular Modules Mechanical Drawing

1	Drain Hole	8	EVA
2	Grounding Hole	9	Solar Cell
3	Mounting Hole	10	Backsheet
4	Connector/Cable	11	EVA/POE
5	Junction Box	12	Serial Number label
6	Frame	13	Nameplate
7	Glass	14	Current classification label

### 3.2 GENERAL SAFETY

EGING PV modules are designed in accordance with the international standard IEC61215 and IEC61730. The solar modules have been qualified for application class A (equivalent to safety class II requirements).

Installing PV modules and ground frames should be in accordance with applicable rules and regulations. Only installer/service personnel should have access to the PV module installation site. In order to avoid a risk of injury or electrical shock, do not allow anyone to approach the PV module if the person has little knowledge on PV module or on the measures that should be taken when PV modules are damaged.



In the case that the PV modules are non-integral type, the module is to be mounted over a fire resistant roof. Follow all safety precautions of other components used in the system. Do not clean the glass surface with chemicals. Do not let water stay on the glass surface of PV modules for a long time. This creates a risk of white efflorescence (glass disease) which may result in the deterioration of energy generation.

Do not install the PV module horizontally. It may cause dirt or white efflorescence (glass disease) due to water. Do not cover the water drain holes of the frame. There is a risk of frost damage when the frame is filled with water. When sliding snow load has to be considered, an appropriate measure has to be taken so that PV module frames on lower edge of PV modules will not be damaged.



### **3.3 ELECTRICAL SAFETY**

The installation of PV modules requires a great degree of skill and should only be performed by a qualified licensed professional, including licensed contractors and licensed electricians.

Please read this manual carefully before installing or using the modules. Please be aware that there is a serious risk of various types of injury occurring during the installation including the risk of electric shock.

All EGINGPV modules are equipped with a permanently attached junction terminal box that will accept variety of wiring applications or with a special cable assembly for ease of installation, and they do not require special assembly. Contact with electrically active parts of a PV module such as terminals can result in burns, sparks and lethal shock whether the PV modules is connected or not.



PV modules produce electricity when the sunlight or other sources illuminate the module surface. When the modules are connected in series, voltage is cumulative. When the modules are connected in parallel, current is cumulative. As a result, a large-scale PV system can produce high voltage and current which could present an increased hazard and may cause serious injury or death.

Do not connect the PV modules directly to the loads since the variation of the output power depending on the solar irradiation causes damage for the connected load. Do not connect the PV modules directly to the loads since the variation of the output power depending on the solar irradiation causes damage for the connected load.

A defective PV module may generate power even if it is removed from the system. It may be dangerous to handle the PV module while exposed to sunlight. Place a defective PV module in a carton after PV cells are completely shaded.

Do not expose PV module to sunlight concentrated with mirrors, lenses or similar means. Do not shade portions of the PV module surface from the sunlight for a long time. The shaded cell may become hot (hot spot phenomenon) which results in solder joints peeling off.

In case of series connection, the maximum open circuit voltage must not be greater than the specified maximum system voltage. The voltage is proportional to the number of series. In case of parallel connection, please be sure to take proper measure (e.g. fuse for protection of module and cable from over current, and/or blocking diode for prevention of unbalanced strings voltage) to block the reverse current flow. The current may easily flow in a reverse direction.

### **3.4 INSTALLATION SAFETY**

During transportation or storage, unless you reach the installation site, otherwise, do not open the package of the modules. Please protect the modules' package. When loading or unloading the modules, please handle with care. Do not drop the packed pallet of modules down directly. Before open the modules' package, store the modules in ventilated and dry place.



When opening the modules' package with knife, be careful not scratching the module. Do not lift the whole module by grabbing the terminal box or cable in any sense. Modules are heavy. Handle with care. Do not drop PV modules far above ground. Do not drop one module down on another module. Do not stand or step on the module. Do not pass by stepping on the module especially when installing, maintain and washing the

modules. Do not hit or put excessive load on the glass or back sheet. Do not allow objects fall down on the module. Do not cause an excessive load on the surface of PV module or twist the frame. Do not scratch or hit at the back sheet. Do not hit on the terminal box or do not pull the cables. Please notice the ground condition when the module is placed horizontally with back sheet faced down.

Do not try to unpick the module, remove any parts or the nameplate of the module. Do not brush oil paint or any other adhesive on the surface of the module. Do not scratch the insulation coating of the frame

(except for grounding connection). It may cause corrosion of the frame or compromise the framework strength.

Do not drill holes in the frame. It may compromise the frame strength and cause corrosion of the frame. Do not repair glass,

back sheet or other broken part of the module. Please install with dry tools in dry condition. Do not operate when the module is wet, unless wear proper equipment against electrical shock. Do not grab the PV module at only one side, the frame may bend. Grab the PV module at two sides facing each other. Do not touch the PV module with bare hands. The frame of PV module has sharp edges and may cause injury.

Do not scratch the output cable or bend it with force. The insulation of output cable can break and may result in electricity leakage or shock. Do not try artificially to concentrate sunlight on the PV module. Never touch terminal box or the end of output cables with bare hands when the PV module is irradiated. Cover the surface of PV module with cloth or other suitable sufficiently opaque material to isolate the PV module from incident light and handle the wires with rubber-gloved hands to avoid electric shock.

Always wear protective head gear, insulating gloves and safety shoes (with rubber soles). Do not touch the PV module unnecessarily during installation. The glass surface and the frames get hot. There is a risk of burn, or you may collapse because of electric shock. Do not work under rain, snow or windy conditions.

Do not touch the terminal box and the end of output cables the cable ends (connectors) with bare hands during installation or under sunlight, regardless of whether the PV module is connected to or disconnected from the system. Plug in the connector tight and ensure the wiring work. Do not unplug the connector if the system circuit is connected to a load. Do not stomp on the glass at work. There is a risk of injury or electric shock if glass is broken. Do not work alone (always work as a team of 2 or more people). When installing PV modules far above ground, wear a safety belt, do not drop any object (e.g., PV module or tools). Do not wear metallic jewelry which can cause electric shock during installation. Do not wear metallic jewelry which can cause electric shock during installation. Do not damage the back sheet of PV modules when fastening the PV modules to a support by bolts.





Do not damage the surrounding PV modules or mounting structure when replacing a PV module. Bind cables by the insulation locks. Drooping down of cables from the terminal box could possibly cause various problems such as animal biting, electricity leakage in puddle. Take proper measures for preventing the laminate (consisted of resin, cells, glass, back sheet, etc.) from dropping out of the frame in case the glass is broken. Cables shall be located so that they will not be exposed to direct sunlight after installation to prevent degradation of cables. When installing the module, make sure that the terminal box is on the higher side of the module for better waterproof.

### **3.5 FIRE SAFETY**

Consult your local authority for guidelines and requirements for building or structural fire safety .EGING modules have been listed as Class C according to IEC 61730-2 standard. For roof installations,modules should be mounted over a fire resistant covering suitable for this application,with adequate ventilation between the Modules backsheet and the mounting surface.In order to maintain the fire class rating,the distance between the Modules frame surface and the roof surface shall be at least 115 mm. Roof constructions and installations may affect the fire safety of building.Improper installation may create hazards in the event of a fire.Please install the Modules with Professional Installers.

## **4. INSTALLATION CONDITION**

### **4.1 SITE SELECTION AND WORK ENVIRONMENT**

In most applications, the PV modules should be installed in a location where there is no shading throughout the year. Please make sure that there are no obstructions in the surroundings ofthe site of installation. EGING recommend that the PV modules should be installed in the place where the environment temperature is from -40°C to 40°C.The operating temperature is the maximum and minimum monthly average temperature of the installation site. The limit of operating temperatureis from -40°C to 85°C.

EGING PV modules must be mounted on proper structure or any other place which is suitable for module installation(such as ground, roof and facade). Make sure flammable gases are not generated near the installation site. The PV modules should not be installed in flooded areas. The junction box should be on

the higher side of the module when it is mounted. Lightning protection is recommended for PV systems that are to be installed in locations with high probability of lightning strikes.

Take proper steps in order to maintain reliability and safety, in case the PV modules are used in areas such as: Heavysnow areas / Extremely cold areas / Strong wind areas / Installations over, or near, water / Areas where installations are prone to salt water damage / Small islands or desert areas.



EGING suggests that modules should not be installed nor operated in areas where hail, snow, sand, dust, air pollution, soot, etc., are excessive. Modules must not be sited in locations where aggressive substances such as salt, salt mist, salt-water, chemically active vapors, acid rain, any other type of corrosive agent, could affect the safety and/or performance of the Modules. EGING PV modules have also passed salt mist corrosion test according to IEC60701. But corrosion may occur in the module frame connecting to the bracket portion or the portion of ground connection, those parts shall be prepared with anti-corrosion treatment before usage.

EGING recommends that modules used or installed should be 2000 meters (altitude) at most.

## 4.2 TILT ANGLE

The tilt angle of the PV module is the angle between the PV module and a horizontal ground surface. The PV module generates the maximum output power when it faces the sun directly. In the Northern Hemisphere, the PV modules should typically face south, and in the Southern Hemisphere, the PV modules should typically face north. For the detailed installation angle, which is different in different area, may refer to the recommendation of the experienced PV modules installation supplier.



Modules mounted flat(0° tilt angle) is not suggested due to dust is easy to be accumulated and affect power output. Dust building up on the surface of the modules can impair with modules performance. EGING recommends installing the modules with a tilt angle of at least 9 degrees, making it easier for dust to be washed off by rain and more regular cleaning is not required and water on the surface of module will not be accumulated, avoiding mouldy glass caused to affect the degradation of the modules because of long time water collection on the module surface.

## **5. MECHANICAL INSTALLATION**

### **5.1 REGULAR REQUIREMENTS**

Make sure that module installation mode and bracket system can meet the expected load, which is requisite assurance that the bracket installer must provide. Installation bracket system shall be tested and inspected by the third party testing institution with static mechanical analysis capacity in accordance with local national standards or international standards. Module bracket shall be made from durable, corrosion resistant, UV-proof materials. The surface of the beam used to fix the module shall be smooth and flat without burrs or other protrusions.

Modules shall be fixed on the bracket solidly. Use higher brackets in places with heavy snow accumulation so the lowest point of modules will not be shadowed by snow for a long time. In addition, make the lowest point of modules high enough so as to avoid shading of vegetation and woods or reduce damage of sands and stones. In the face of hail and other bad weather conditions, in order to protect the junction box from the damage caused by hail impact, the hail impact surface should be kept as the front of the component.



If modules are installed on brackets parallel to the roof or wall, the minimum gap between the module frame and the roof/wall shall be 10cm for air ventilation in case of module wire damage. Make sure the building is suitable for installation before installing modules on roof. Moreover, seal properly to prevent leakage. The module frames can appear thermal expansion and cold contraction so the frame

interval between two adjoining modules shall be no less than 10mm. Make sure that backsheet of modules will not be in contact with bracket or building structures that can pierce into the inside of the modules, especially when the module surface is imposed by pressure.

## **5.2 MOUNTING METHOD**

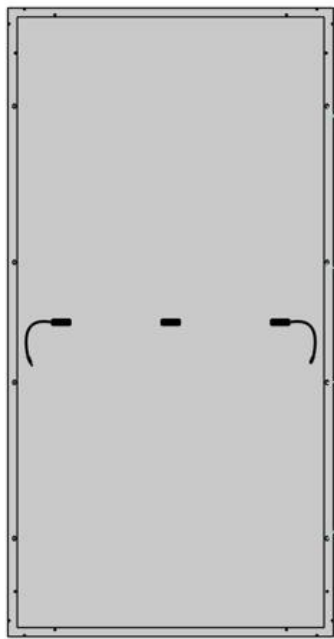
Module and bracket system connection can be realized by mounting holes, clamps or embedded systems. Installation shall follow the demonstration and suggestions below. If installation mode is different, please consult Eging and obtain approval. Otherwise, modules may be damaged and limited warranty will be invalid.

Modules have been certified for maximum static load on the back side of 2400Pa (i.e. wind load) and a maximum static load on the front side of either 2400Pa or 5400Pa (i.e. wind and snow load), depending on the modules type (please refer to the following installation methods for details)

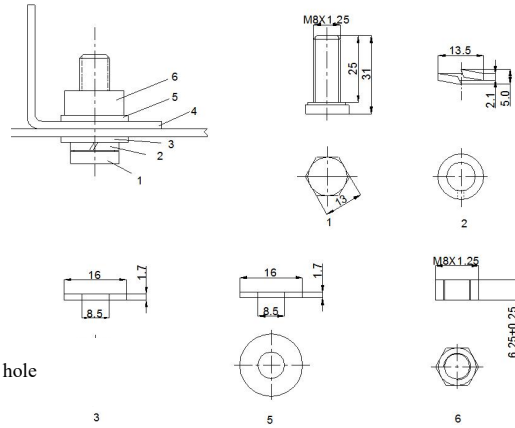
The safety factor of the test load is 1.5

### **5.2.1 BOLTS MOUNTING**

Through the mounting hole on the back frame of the photovoltaic module, the module can fixed on the support with bolts. One module generally has 4 or 8 mounting holes and is installed with M8 bolts. The details are shown in the following figure:

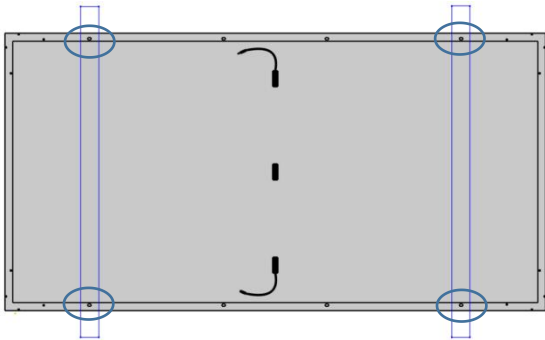


Mounting hole



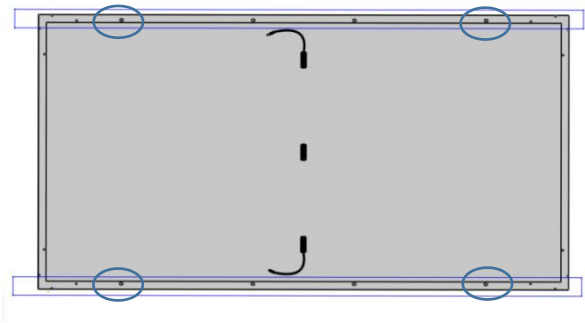
6	Nut	M8X1.25	S35C
5	Gasket	16X1.7	Fe
4	Mount	≈5	Q235
3	Gasket	16X1.7	Fe
2	Spring gasket	13.5X2.1	Mn65
1	Screw	M8X1.25	S35C
NO.	NAME	Size	Material

Installation position and corresponding load of modules:



Installation with bolts into 4 outer holes

(Beam perpendicular to long sides)



Installation with bolts into 4 outer holes

(Beam Parallel to long sides)

Module Type	Mounting hole spacing	Test Load (pa)	Module Type	Mounting hole spacing	Test Load (pa)
EG-XXXM60-HEV (1755*1038*30)	1200*999	+5400/-2400	EG-XXXM72-HE/BF-DG (2094*1038*30)	1440*990	+5400/-2400
EG-XXXM72-HEV (2094*1038*30)	1440*999	+5400/-2400	EG-XXXM72-HE/BF-DG (2094*1038*35)	1440*990	+5400-2400
EG-XXXM72-HEV	1440*999	+5400/-2400	EG-XXXM72-HL/BF-DG	1440*1095	+5400/-2400

(2094*1038*35)			(2285*1134*35)		
EG-XXXM54-HLV (1724*1134*30)	1200*1095	+5400/-2400	EG-XXXM72-HL/BF-DG (2278*1134*35)	1400*1095	+5400/-2400
EG-XXXM54-HLV EG-XXXNT54-HLV (1722*1134*30)	1200*1091 1400*1091	+5400/-2400 +2400/-2400	EG-XXXM72-HL/BF-DG EG-XXXNT72-HL/BF-DG (2278*1134*30)	1400*1091	+5400/-2400
EG-XXXM60-HLV EG-XXXNT60-HLV (1909*1134*30)	1400*1091	+5400/-2400	EG-XXXM78-HL/BF-DG EG-XXXNT78-HL/BF-DG (2465*1134*30)	1600*1091	+5400/-2400
EG-XXXM72-HLV (2279*1134*35)	1440*1095	+5400/-2400	EG-XXXM60-HU/BF-DG EG-XXXNT60-HU/BF-DG (2172*1303*35/33)	1400*1264	+5400/-2400
EG-XXXM72-HLV (2278*1134*35)	1400*1095	+5400/-2400	EG-XXXM66-HU/BF-DG EG-XXXNT66-HU/BF-DG (2384*1303*35/33)	1400*1264	+5400/-2400
EG-XXXM72-HLV EG-XXXNT72-HLV (2278*1134*30)	1400*1091	+5400/-2400	EG-XXXM54-HL/BF-DG EG-XXXNT54-HL/BF-DG (1722*1134*30)	1200*1091	+5400/-2400
EG-XXXM78-HLV EG-XXXNT78-HLV (2465*1134*35)	1600*1095	+5400/-2400	EG-XXXM60-HL/BF-DG EG-XXXNT60-HL/BF-DG (1909*1134*30)	1400*1091	+5400/-2400
EG-XXXM60-HUV EG-XXXNT60-HUV (2172*1303*35/33)	1400*1264	+5400/-2400			
EG-XXXM66-HUV EG-XXXNT66-HUV (2384*1303*35/33)	1400*1264	+5400/-2400			
EG-XXXNT54-HRbV (1762*1134*30)	1200*1091	+5400/-2400	EG-XXXNT54-HRb/BF-DG (1762*1134*30)	1200*1091	+5400/-2400
EG-XXXNT60-HRbV (1952*1134*30)	1400*1091	+5400/-2400	EG-XXXNT60-HRb/BF-DG (1952*1134*30)	1400*1091	+5400/-2400

EG-XXXNT72-HRbV (2333*1134*30)	1400*1091	+5400/-2400	EG-XXXNT72-HRb/BF-DG (2333*1134*30)	1400*1091	+5400/-2400
EG-XXXNT54-HRaV (1800*1134*30)	1200*1091	+5400/-2400	EG-XXXNT54-HRa/BF-DG (1800*1134*30)	1200*1091	+5400/-2400
EG-XXXNT60-HRaV (1994*1134*30)	1400*1091	+5400/-2400	EG-XXXNT60-HRa/BF-DG (1994*1134*30)	1400*1091	+5400/-2400
EG-XXXNT72-HRaV (2382*1134*30)	1400*1091	+5400/-2400	EG-XXXNT72-HRa/BF-DG (2382*1134*30)	1400*1091	+5400/-2400
EG-XXXNT66-HRcV (2382*1134*30)	1400*1091	+5400/-2400	EG-XXXNT66-HRc/BF-DG (2382*1134*30)	1400*1091	+5400/-2400

### 5.2.2 CLAMP MOUNTING

Under no circumstances should the clamp touch the glass or deform the frame. The interface of the clamp to the front of the frame must be smooth and flat to prevent frame or other components from being damaged. Make sure no shadowing effect of the fixture. The drain hole cannot be blocked by the fixture. For framed PV module, the clamp must maintain an overlap of 8-11 mm with the frame of the module (you can change the cross section of the clamp if the module is securely installed).

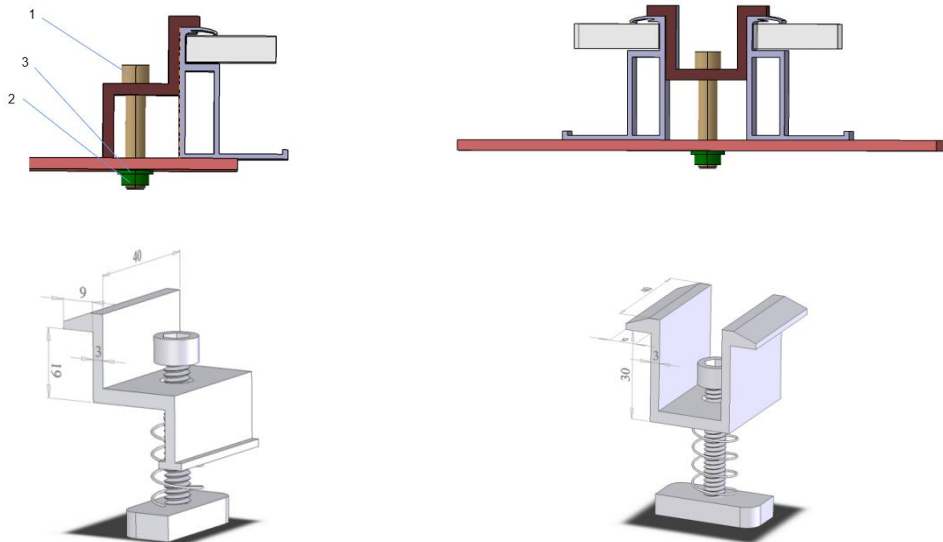
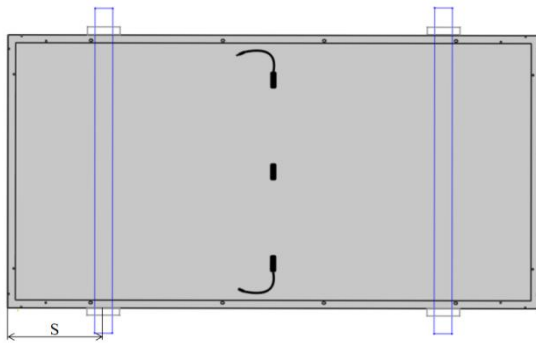


Fig. 2 clamps fixed module

Name	Size	Material
------	------	----------

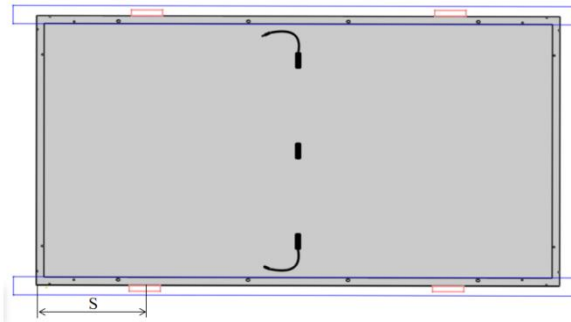
1	Bolt	M8	S35C
2	Nut	M8	S35C
3	Gasket	M8	S35C

Installation position and corresponding static loads:



Installation of framed module with fixtures on long sides

(Beam perpendicular to long sides)



Installation of framed module with fixtures on long sides

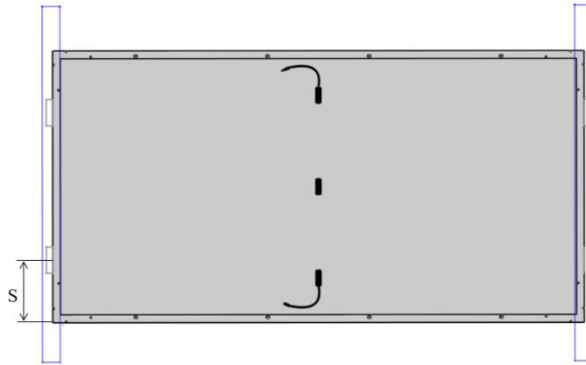
(Beam Parallel to long sides)

Module Type	S(mm)	Test Load (pa)	Module Type	S(mm)	Test Load (pa)
EG-XXXM60-HEV (1755*1038*30)	453-604	+2400/-1600	EG-XXXM72-HE/BF-DG (2094*1038*35)	302-352	+5400/-2400
	302-453	+3600/-1800			
	252-302	+5400/-2400			
	126-252	+3600/-1800			
	0-126	+2400/-1600			
EG-XXXM72-HEV (2094*1038*35)	302-352	+5400/-2400	EG-XXXM72-HL/BF-DG (2285*1134*35)	397-447	+5400/-2400
EG-XXXM72-HEV (2094*1038*30)	302-352	+5400/-2400	EG-XXXM72-HL/BF-DG (2278*1134*35)	414-464	+5400/-2400
EG-XXXM54-HLV EG-XXXNT54-HLV (1722*1134*30)	430-574	+2400/-1600	EG-XXXM72-HL/BF-DG EG-XXXNT72-HL/BF-DG (2278*1134*30)	414-464	+5400/-2400
	287-430	+3600/-1800			
	237-287	+5400/-2400			
	118-237	+3600/-1800			



	0-118	+2400/-1600			
EG-XXXM60-HLV			EG-XXXM78-HL/BF-DG		
EG-XXXNT60-HLV (1909*1134*30)	230-280	+5400/-2400	EG-XXXNT78-HL/BF-DG (2465*1134*35/30)	407-457	+5400/-2400
EG-XXXM72-HLV (2279*1134*35)	395-445	+5400/-2400	EG-XXXM60-HU/BF-DG EG-XXXNT60-HU/BF-DG (2172*1303*35/33)	361-411	+5400/-2400
EG-XXXM72-HLV (2278*1134*35)	414-464	+5400/-2400	EG-XXXM66-HU/BF-DG EG-XXXNT66-HU/BF-DG (2384*1303*35/33)	467-517	+5400/-2400
EG-XXXM72-HLV EG-XXXNT72-HLV (2278*1134*30)	414-464	+5400/-2400	EG-XXXM54-HL/BF-DG EG-XXXNT54-HL/BF-DG (1722*1134*30)	236-286	+5400/-2400
EG-XXXM78-HLV EG-XXXNT78-HLV (2465*1134*35)	407-457	+5400/-2400	EG-XXXM60-HL/BF-DG EG-XXXNT60-HL/BF-DG (1909*1134*30)	230-280	+5400/-2400
EG-XXXM60-HUV EG-XXXNT60-HUV (2172*1303*35/33)	361-411	+5400/-2400			
EG-XXXM66-HUV EG-XXXNT66-HUV (2384*1303*35/33)	467-517	+5400/-2400			
EG-XXXNT54-HRbV (1762*1134*30)	256-306	+5400/-2400	EG-XXXNT54-HRb/BF-DG (1762*1134*30)	256-306	+5400/-2400
EG-XXXNT60-HRbV (1952*1134*30)	251-301	+5400/-2400	EG-XXXNT60-HRb/BF-DG (1952*1134*30)	251-301	+5400/-2400
EG-XXXNT72-HRbV (2333*1134*30)	441-491	+5400/-2400	EG-XXXNT72-HRb/BF-DG (2333*1134*30)	441-491	+5400/-2400
EG-XXXNT54-HRaV (1800*1134*30)	275-325	+5400/-2400	EG-XXXNT54-HRa/BF-DG (1800*1134*30)	275-325	+5400/-2400
EG-XXXNT60-HRaV	272-322	+5400/-2400	EG-XXXNT60-HRa/BF-DG	272-322	+5400/-2400

(1994*1134*30)			(1994*1134*30)		
EG-XXXNT72-HRaV (2382*1134*30)	466-516	+5400/-2400	EG-XXXNT72-HRa/BF-DG (2382*1134*30)	466-516	+5400/-2400
EG-XXXNT66-HRcV (2382*1134*30)	466-516	+5400/-2400	EG-XXXNT66-HRc/BF-DG (2382*1134*30)	466-516	+5400/-2400



Installation of framed module with fixture on short sides

(Beam perpendicular to long sides)

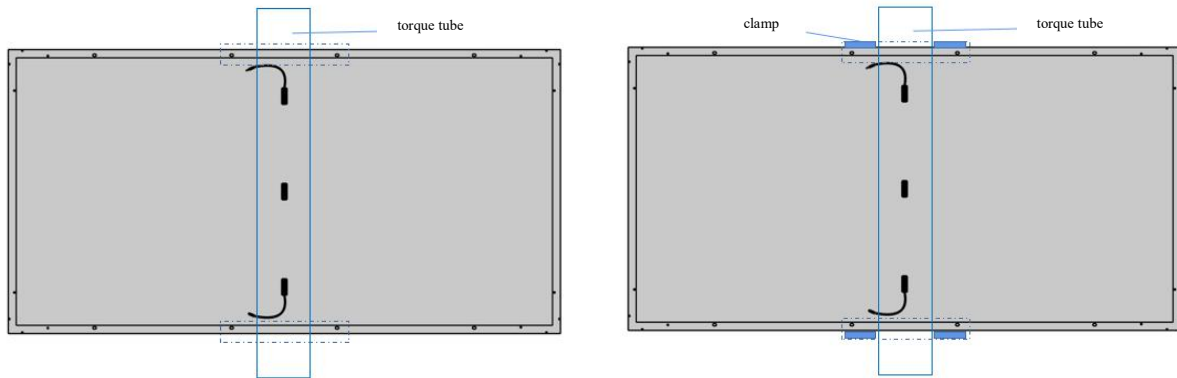
Module Type	S(mm)	Test Load (pa)
EG-XXXM60-HEV	L/4 (± 25)	+1800/-1800
EG-XXXM54-HLV EG-XXXNT54-HLV	L/4 (± 25)	+1600/-1600
EG-XXXNT54-HL/BF-DG	L/4 (± 25)	+1600/-1600
EG-XXXNT54-HRbV	L/4 (± 25)	+1600/-1600
EG-XXXNT54-HRb/BF-DG	L/4 (± 25)	+1600/-1600
EG-XXXM60-HLV EG-XXXNT60-HLV	L/4 (± 25)	+1000/-1000
EG-XXXNT60-HL/BF-DG	L/4 (± 25)	+1000/-1000

Bifacial module can generate power after receiving reflected light on the back, which can bring additional power generation gain to the power station. Therefore, for bifacial module, it is recommended to install the beam parallel to long sides, so that there is no beam shielding directly below the module.

### 5.2.3 MOUNTING METHODS WITH SINGLE-AXIS TRACKER

The bolts and clamps used in this section should follow the requirements in 5.2.1 and 5.2.2. Install and tighten the module clamps to the mounting rails using the torque stated by the mounting hardware manufacturer. M8 X 1 (1/4") bolt and nut are used for this bolting method. Tightening torques should be 16-20 Nm coarse thread bolts, depending on bolt class. Different tracker systems may have large deviations. Please provide the selected tracking support supplier and product model and consult Eging for details.

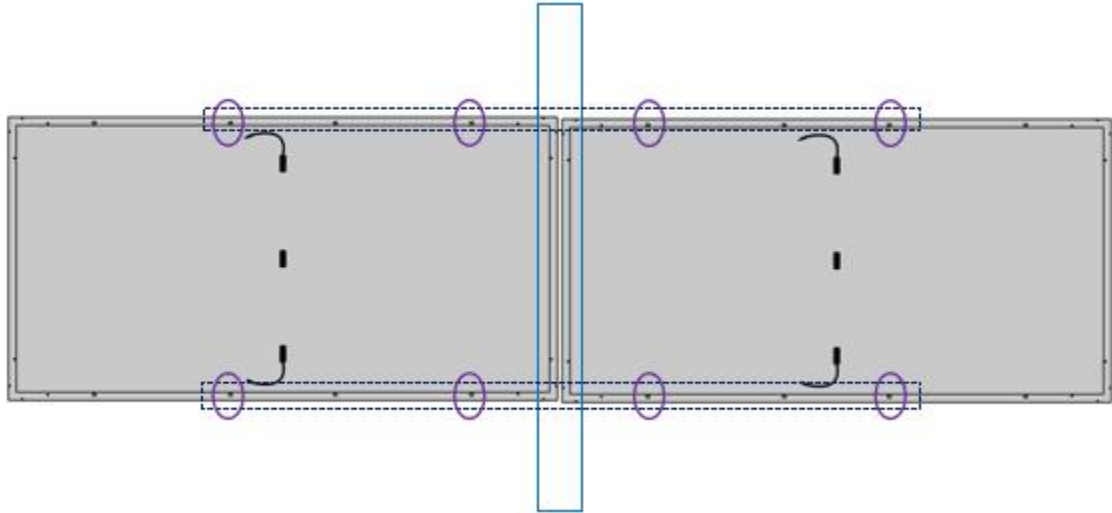
Tracker 1P Bolting/Clamping method:



Module type	Test Load (pa)	Module type	Test Load (pa)
EG-XXXM72-HEV	1600-2400	EG-XXXM72-HEV	1600-2400
EG-XXXM72-HE/BF-DG	1600-2400	EG-XXXM72-HE/BF-DG	1600-2400
EG-XXXM60-HLV	1600-2400	EG-XXXM60-HLV	1600-2400
EG-XXXM72-HLV	1600-2400	EG-XXXM72-HLV	1600-2400
EG-XXXM72-HL/BF-DG	1600-2400	EG-XXXM72-HL/BF-DG	1600-2400
EG-XXXM78-HL/BF-DG	1600-2400	EG-XXXM78-HL/BF-DG	1600-2400
EG-XXXM78-HLV	1600-2400	EG-XXXM78-HLV	1600-2400
EG-XXXNT60-HLV	1600-2400	EG-XXXNT60-HLV	1600-2400
EG-XXXNT72-HLV	1600-2400	EG-XXXNT72-HLV	1600-2400
EG-XXXNT72-HL/BF-DG	1600-2400	EG-XXXNT72-HL/BF-DG	1600-2400
EG-XXXNT78-HL/BF-DG	1600-2400	EG-XXXNT78-HL/BF-DG	1600-2400
EG-XXXNT78-HLV	1600-2400	EG-XXXNT78-HLV	1600-2400
EG-XXXM60-HUV	1600-2400	EG-XXXM60-HUV	1600-2400

EG-XXXM66-HUV	1600-2400	EG-XXXM66-HUV	1600-2400
EG-XXXM60-HU/BF-DG	1600-2400	EG-XXXM60-HU/BF-DG	1600-2400
EG-XXXM66-HU/BF-DG	1600-2400	EG-XXXM66-HU/BF-DG	1600-2400
EG-XXXNT60-HUV	1600-2400	EG-XXXNT60-HUV	1600-2400
EG-XXXNT66-HUV	1600-2400	EG-XXXNT66-HUV	1600-2400
EG-XXXNT60-HU/BF-DG	1600-2400	EG-XXXNT60-HU/BF-DG	1600-2400
EG-XXXNT66-HU/BF-DG	1600-2400	EG-XXXNT66-HU/BF-DG	1600-2400
EG-XXXM54-HL/BF-DG	1600-2400	EG-XXXM54-HL/BF-DG	1600-2400
EG-XXXNT54-HL/BF-DG	1600-2400	EG-XXXNT54-HL/BF-DG	1600-2400
EG-XXXM60-HL/BF-DG	1600-2400	EG-XXXM60-HL/BF-DG	1600-2400
EG-XXXNT60-HL/BF-DG	1600-2400	EG-XXXNT60-HL/BF-DG	1600-2400
EG-XXXNT54-HRbV	1600-2400	EG-XXXNT54-HRbV	1600-2400
EG-XXXNT60-HRbV	1600-2400	EG-XXXNT60-HRbV	1600-2400
EG-XXXNT72-HRbV	1600-2400	EG-XXXNT72-HRbV	1600-2400
EG-XXXNT54-HRaV	1600-2400	EG-XXXNT54-HRaV	1600-2400
EG-XXXNT60-HRaV	1600-2400	EG-XXXNT60-HRaV	1600-2400
EG-XXXNT72-HRaV	1600-2400	EG-XXXNT72-HRaV	1600-2400
EG-XXXNT66-HRcV	1600-2400	EG-XXXNT66-HRcV	1600-2400
EG-XXXNT54-HRb/BF-DG	1600-2400	EG-XXXNT54-HRb/BF-DG	1600-2400
EG-XXXNT60-HRb/BF-DG	1600-2400	EG-XXXNT60-HRb/BF-DG	1600-2400
EG-XXXNT72-HRb/BF-DG	1600-2400	EG-XXXNT72-HRb/BF-DG	1600-2400
EG-XXXNT54-HRa/BF-DG	1600-2400	EG-XXXNT54-HRa/BF-DG	1600-2400
EG-XXXNT60-HRa/BF-DG	1600-2400	EG-XXXNT60-HRa/BF-DG	1600-2400
EG-XXXNT72-HRa/BF-DG	1600-2400	EG-XXXNT72-HRa/BF-DG	1600-2400
EG-XXXNT66-HRc/BF-DG	1600-2400	EG-XXXNT66-HRc/BF-DG	1600-2400

Tracker 2P Bolting method:

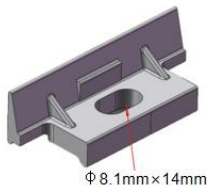


Module type	Test Load (pa)
EG-XXXM72-HEV	1200-2400
EG-XXXM72-HE/BF-DG	1200-2400
EG-XXM60-HLV	1200-2400
EG-XXXM72-HLV	1200-2400
EG-XXXM78-HLV	1200-2400
EG-XXXM72-HL/BF-DG	1200-2400
EG-XXXM78-HL/BF-DG	1200-2400
EG-XXNT60-HLV	1200-2400
EG-XXXNT72-HLV	1200-2400
EG-XXXNT78-HLV	1200-2400
EG-XXXNT72-HL/BF-DG	1200-2400
EG-XXXNT78-HL/BF-DG	1200-2400
EG-XXXM60-HUV	1200-2400
EG-XXXM66-HUV	1200-2400
EG-XXXM60-HU/BF-DG	1200-2400
EG-XXXM66-HU/BF-DG	1200-2400
EG-XXXNT60-HUV	1200-2400
EG-XXXNT66-HUV	1200-2400
EG-XXXNT60-HU/BF-DG	1200-2400
EG-XXXNT66-HU/BF-DG	1200-2400

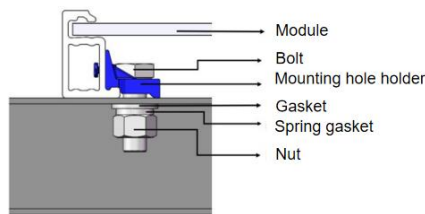
EG-XXXM54-HL/BF-DG	1200-2400
EG-XXXNT54-HL/BF-DG	1200-2400
EG-XXXM60-HL/BF-DG	1200-2400
EG-XXXNT60-HL/BF-DG	1200-2400
EG-XXXNT54-HRbV	1200-2400
EG-XXXNT60-HRbV	1200-2400
EG-XXXNT72-HRbV	1200-2400
EG-XXXNT54-HRaV	1200-2400
EG-XXXNT60-HRaV	1200-2400
EG-XXXNT72-HRaV	1200-2400
EG-XXXNT66-HRcV	1200-2400
EG-XXXNT54-HRb/BF-DG	1200-2400
EG-XXXNT60-HRb/BF-DG	1200-2400
EG-XXXNT72-HRb/BF-DG	1200-2400
EG-XXXNT54-HRa/BF-DG	1200-2400
EG-XXXNT60-HRa/BF-DG	1200-2400
EG-XXXNT72-HRa/BF-DG	1200-2400
EG-XXXNT66-HRc/BF-DG	1200-2400

### 5.2.4 COMPOSITE FRAME ASSEMBLY SCREW HOLE MOUNTING

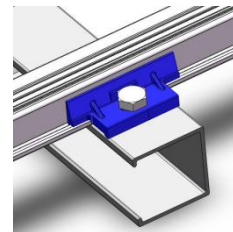
Through the mounting holes on surface D of the assembly, use the installation bracket with the specific compound frame, hang into the installation hole on the inside of surface D, and install the bracket through the installation bracket with bolts; The details are shown below:



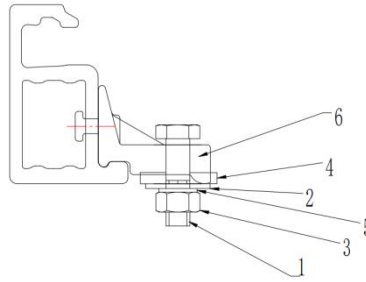
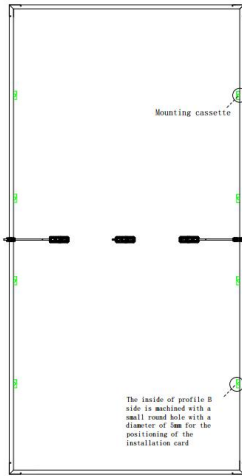
Mounting cassette



Sectional view



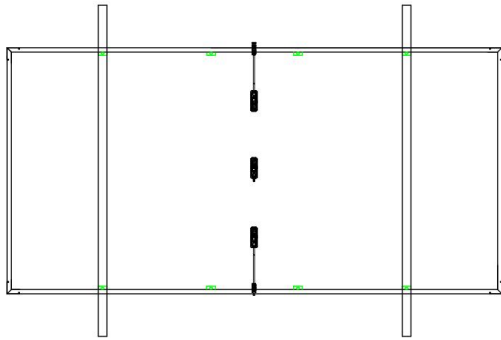
Installation instruction



序号	名称	型号	材料
1	Bolt	M8*1.25	S35C
2	Gasket	16*1.7	Fe
3	Nut	M8*1.25	S35C
4	Bracket	5	Q235
5	Spring shim	13.5*2.1	Mn65
6	Mounting cassette	/	AL

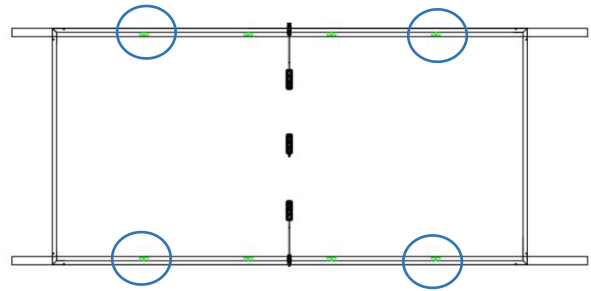
Installation hole position diagram

Installation position and corresponding load of modules:



Installation with bolts into 4 outer holes

(Beam perpendicular to long sides)



Installation with bolts into 4 outer holes

(Beam Parallel to long sides)

组件型号	孔距 (mm)	测试载荷 (Pa)	组件型号	孔距 (mm)	测试载荷 (Pa)
EG-XXXM54-HLV (1724*1134*35)	1200*1084	+5400/-2400	EG-XXXM72-HL/BF-DG (2278*1134*35)	1400*1084	+5400/-2400
EG-XXXM54-HLV EG-XXXNT54-HLV (1722*1134*30)	1200*1084	+5400/-2400	EG-XXXM72-HL/BF-DG EG-XXXNT72-HL/BF-DG (2278*1134*30)	1400*1084	+5400/-2400
	1400*1084	+2400/-2400			
EG-XXXM60-HLV EG-XXXNT60-HLV (1909*1134*30)	1400*1084	+5400/-2400	EG-XXXM78-HL/BF-DG EG-XXXNT78-HL/BF-DG (2465*1134*35/30)	1600*1084	+5400/-2400

EG-XXXM72-HLV (2278*1134*35)	1400*1084	+5400/-2400	EG-XXXM60-HU/BF-DG EG-XXXNT60-HU/BF-DG (2172*1303*35)	1400*1253	+5400/-2400
EG-XXXM72-HLV EG-XXXNT72-HLV (2278*1134*30)	1400*1084	+5400/-2400	EG-XXXM66-HU/BF-DG EG-XXXNT66-HU/BF-DG (2384*1303*35)	1400*1253	+5400/-2400
EG-XXXNT54-HRbV (1762*1134*30)	1200*1084	+5400/-2400	EG-XXXM54-HL/BF-DG EG-XXXNT54-HL/BF-DG (1722*1134*30)	1200*1084	+5400/-2400
EG-XXXNT60-HRbV (1952*1134*30)	1400*1084	+5400/-2400	EG-XXXNT54-HRb/BF-DG (1762*1134*30)	1200*1084	+5400/-2400
EG-XXXNT72-HRbV (2333*1134*30)	1400*1084	+5400/-2400	EG-XXXNT60-HRb/BF-DG (1952*1134*30)	1400*1084	+5400/-2400
EG-XXXNT54-HRaV (1800*1134*30)	1200*1084	+5400/-2400	EG-XXXNT72-HRb/BF-DG (2333*1134*30)	1400*1084	+5400/-2400
EG-XXXNT60-HRaV (1994*1134*30)	1400*1084	+5400/-2400	EG-XXXNT54-HRa/BF-DG (1800*1134*30)	1200*1084	+5400/-2400
EG-XXXNT72-HRaV (2382*1134*30)	1400*1084	+5400/-2400	EG-XXXNT60-HRa/BF-DG (1994*1134*30)	1400*1084	+5400/-2400
EG-XXXNT66-HRcV (2382*1134*30)	1400*1084	+5400/-2400	EG-XXXNT72-HRa/BF-DG (2382*1134*30)	1400*1084	+5400/-2400
EG-XXXM78-HLV EG-XXXNT78-HLV (2465*1134*35)	1600*1084	+5400/-2400	EG-XXXNT66-HRc/BF-DG (2382*1134*30)	1400*1084	+5400/-2400
EG-XXXM60-HUV EG-XXXNT60-HUV (2178*1303*35)	1400*1253	+5400/-2400	EG-XXXM60-HL/BF-DG EG-XXXNT60-HL/BF-DG (1909*1134*30)	1400*1084	+5400/-2400
EG-XXXM66-HUV EG-XXXNT66-HUV (2384*1303*35)	1400*1253	+5400/-2400			



## 6. ELECTRICAL INSTALLATION

### 6.1 WIRING AND CABLES

To ensure proper system operation and to maintain your warranty, observe the correct cable connection polarity (Figures 3&4) when connecting the modules to a battery or to other modules. If not connected correctly, the bypass diode could be destroyed.

PV modules can be wired in series to increase voltage. Connect wires from the positive terminal of one module to the negative terminal of the next module. Figure 3 shows modules connected in series. Connect PV modules in parallel to increase current. Connect wires from the positive terminal of one module to the positive terminal on the next module. Figure 4 shows modules connected.

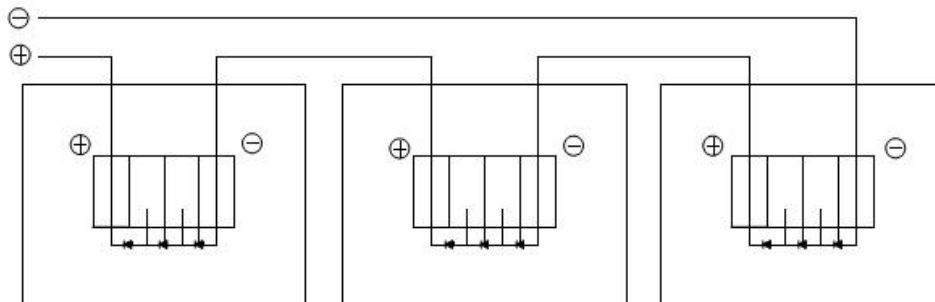


Figure 3. SERIES for more voltage

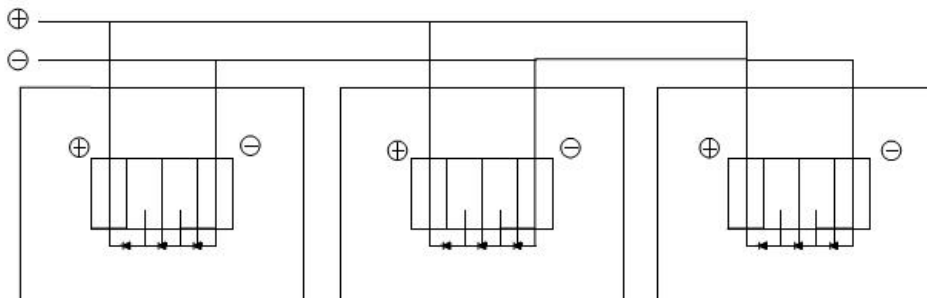


Figure 4. PARALLEL for more current

These junction boxes have been designed to be easily interconnected in series for their well-connected cable and connector with IP67 protection grade at least. Each Module has two single-conductor wires, one positive and one negative, which are pre-wired inside the junction box. The connectors at the opposite end of these wires allow easy series connection of adjacent Modules by firmly inserting the positive connector of a Module into the negative connector of an adjacent Module until the connector is fully seated.

Use field wiring with suitable cross-sectional areas that are approved for use at the maximum short-circuit

current of the Modules. EGING recommends installers use only sunlight resistant cables qualified for direct current(DC)wiring in PV systems. In general, the maximum number (N) of PV modules in series can be calculated by dividing the maximum system voltage by the open circuit voltage of the relevant solar PV modules. When designing the solar PV system, it is necessary to take into account the characteristic that the voltage of the solar PV module changes with the temperature. Considering the voltage increase caused by temperature drop in extreme environment in winter, the maximum series connection number of solar PV modules can be calculated by the following formula.

$$\text{Maximum system voltage } V \geq N \times V_{oc} \times [1 + \beta \times (T_{min} - 25)]$$

V:Maximum system voltage;

N:The number of maximum solar PV modules in series;

$V_{oc}$ :The open circuit voltage of each module ;

$\beta$ :Temperature coefficient of open circuit voltage of the module;

$T_{min}$ :The lowest ambient temperature at installation site;

Cables should be fixed to the mounting structure in such a way that mechanical damage of the cable and/or the modules is avoided. While the cables are sunlight resistant and waterproof, where possible, avoid direct sunlight exposure and water immersion of the cables.

Cables should be fixed to the mounting structure in such a way that mechanical damage of the modules is avoided. Do not apply stress to the cables. The minimum cables bending radius should be 38.4 mm. Any cable damage caused by bending too much or cable management system is not covered under EGING's warranty.

Maximum parallel strings without proper measures (e.g. fuse and/or blocking diode): 1 string. Note: Parallel configuration is not limited in case of taking proper measure (e.g. fuse for protection of module and cable from overcurrent, and/or blocking diode for prevention of unbalanced strings voltage) to block the reverse current flow.

The quantity of string connection for modules should be consulted by the professional institute. Parallel connection for only 2 pcs modules is not recommended. Type of terminal for field wiring is the same as the Module's.

Rating required minimum field wiring

Testing standard	Wire size	Temperature Rating
IEC 62930	4mm <sup>2</sup>	-40°C to +90°C

## 6.2 CONNECTORS

Keep connectors dry and clean, and ensure that connector caps are hand tight before connecting the Modules. Do not attempt to make an electrical connection with wet, soiled, or otherwise faulty connectors.

Avoid sunlight exposure and water immersion of the connectors. Avoid allowing connectors to rest on the ground. Faulty connections can result in arcs and electrical shock. Check that all electrical connections are securely fastened. Make sure that all locking connectors are fully engaged and locked. The Suppliers and types of connectors should be in accordance with the Standard ICE 62852.

The modules are equipped with PV wiring connectors that comply with the Standard for Connectors for Use in Photovoltaic Systems, the specific allowable mating connector manufacturer(s) and model number(s) are listed as below, as well as the contact information and/or website of the PV connector manufacturer. In addition, different model connectors couldn't be mated with each other to use:

Connector manufacture	Type
Changzhou Eging Photovoltaic Tech. Co., Ltd.	E1-X-abcd
Zerun Co. Ltd.	Z4S-abcde
Jiangsu Holsun Electronics Technology Co., Ltd.	C2xyz
Jiangsu Haitian Microelectronics Corp.	PV-HT03x
Staubli Electrical Connectors AG	PV-KST4EVO2/xy_UR; PV-KBT4-EVO2/xy_UR

## 6.3 BYPASS DIODES

The junction boxes used with EGING modules contain bypass diodes wired in parallel with the PV cell strings. In the case of partial shading, the diodes bypass the current generated by the non-shaded cells, thereby limiting modules heating and performance losses. Bypass diodes are not over-current protection devices.

The type and rating of bypass diode to be used must pass the tests (IEC 62790:2020) of the Junction Box.

Refer to CDF for the corresponding relationship between diode and junction box. CDF number: 704062312701-00 & 704062312702-00

In the event of a known or suspected diode failure, installers or maintenance providers should contact EGing PV. Never attempt to open the junction box by yourself .

## **6.4 ELECTRICAL RATINGS**

Under normal conditions, a photovoltaic module is likely to experience conditions that produce more current and/or voltage than reported at Standard Test Conditions. Accordingly, the values of Isc and Voc marked on this module should be multiplied by a factor of 1.25 when determining component voltage ratings, conductor capacities, fuse sizes and size of controls connected to the module output.

## **7. GROUNDING**

The frame grounding is considered within the requirement of local regulation at the site of installation. When needed this grounding, please refer to below example of connection. Please be careful in arranging the system ground so that the removal of one module from the circuit will not interrupt the grounding of any other modules. The modules should be grounded to the same electrical point. Each PV module has grounding holes. Do not drill additional grounding holes on the frame. And the negative pole of the module must be grounded. Otherwise, the module warranty may be void.

An example of acceptable ground connection using a screw, nut (hardware not provided) and washer retaining a ground screw is shown in figure 5. The size of the grounding cable should be decided by the professional person who responsible for electrical installation. In a connection of this type, the hardware (such as a toothed locked washer / star washer) must score the frame surface to make positive electrical contact with the frame. The ground wire must be considered within the requirement of local and regulation at the site of installation. If steel parts used for grounding purpose, steel parts must be plated, painted or enameled for protection against corrosion before usage.

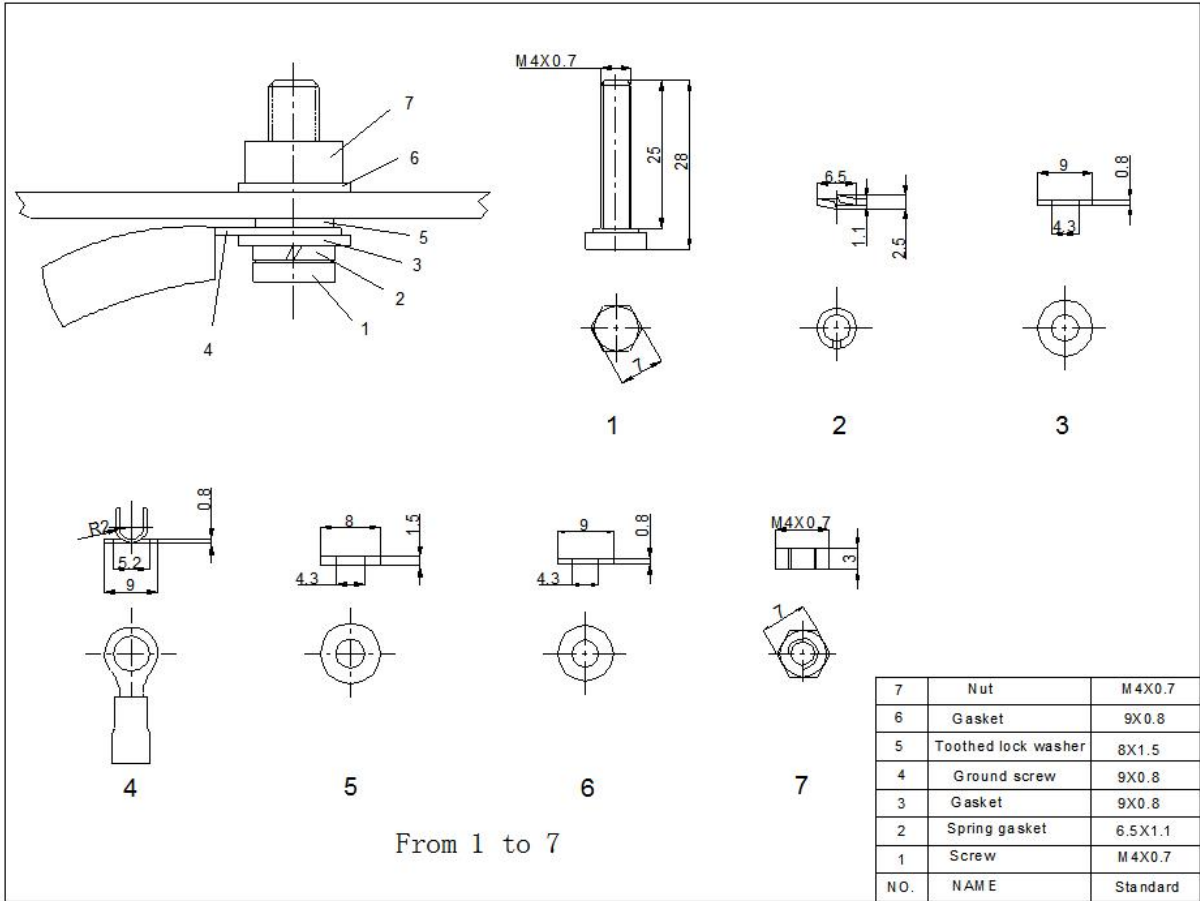


Figure 5.Example of acceptable ground connection

## 8 OPERATION AND MAINTENANCE

### 8.1 MODULE APPEARANCE INSPECTION

Check module cosmetic defects with naked eyes , especially:

- Module glass cracks;
- Corrosion at welding parts of the cell main grid;
- Check whether the modules are covered by things;
- Check if any loose or damage screws between the modules and mounting system;
- Check whether there are traces of burning mark on the module back sheet.

### 8.2 CLEANING

Accumulated contaminants on module surface glass will reduce the power output and lead to local hot spot, such as dust, industrial wasted water and birds' droppings. The severity of influence is determined by

transparency of wastes. Small amounts of dust will affect the intensity and evenness of received solar irradiation but are not dangerous and power will not be reduced remarkably generally.



During operation of modules, there shall be no environmental factors to shade modules fully or partially. These environment factors including other modules, module mounting system, birds dwelling, dust, soil or plants. These will significantly reduce output power. EGing suggests that the module surface should not be shadowed in any case. Frequency of cleaning depends on dirt accumulation speed. In normal situations, rainwater will clean the module surface and reduce the cleaning frequency.

It is suggested to use sponge dipped with clean water or soft cloth to wipe the glass surface. Do not use acid and alkaline detergents to clean modules. Do not use tool with rough surface to clean in any case. When the pressure water is used, the water pressure on the glass surface of the module must not exceed 700 KPa. The module must not be subjected to additional external force. If necessary, use isopropyl alcohol (IPA) according to the safety instructions to clean and ensure that no IPA flows into the gap between the edge of the module and the module frame.

In order to avoid potential risk of electrical shock or burn, EGing suggests cleaning the modules during early morning and evening with low irradiance and low modules temperature especially area with high average temperature.

It is forbidden to clean photovoltaic modules under weather conditions with heavy rain, heavy snow or winds greater than class 4.

The back surface of the module normally does not need to be cleaned, but in the event this is deemed necessary, avoid the use of any sharp objects that might damage or penetrating the substrate material.

Water requirements when cleaning:

PH: 5~7;

Chloride or salt content: 0 - 3,000 mg/L;

Turbidity: 0-30 NTU;

Conductivity: 1500~3000  $\mu$  s/cm;

Total dissolved solids:  $\leq$ 1000 mg/L;

Water hardness: 0-40 mg/L;

Non-alkaline water must be used, and softened water can be used when conditions permitted.

### 8.3 INSPECTION OF CONNECTORS AND CABLES

It is suggested to carry out the following preventive inspection twice a year. Check if any crack or gap of silicone nearby the junction box. In order to ensure the operation safety of the power station and modules, the cables and connectors in the modules need to be fixed accordingly to prevent the harm caused by the continuous impact on the modules in the strong wind environment. Check whether the sealant at the junction box is cracked and has gaps.

#### ANNEX: MECHANICAL AND ELECTRICAL RATINGS

Standard Test Conditions are : irradiance of  $1\text{kW}/\text{m}^2$ , AM 1.5 spectrum, and cell temperature of  $25^\circ\text{C}$ .

Pmax of any individual module will be within  $\pm 3\%$  tolerance of these specified values.

Voc of any individual module will be within  $\pm 5\%$  tolerance of these specified values.

Isc of any individual module will be within  $\pm 5\%$  tolerance of these specified values.

Protection Class:class II

Specifications and electric characteristics in Table 1 are subject to technical and product innovations. Information in this document is subject to change without notice.

Meaning of crossed-out wheeled dustbin:



Do not dispose of electrical appliances as unsorted municipal waste, use separate collection facilities. Contact your local government for information regarding the collection systems available. If electrical appliances are disposed of in landfills or dumps, hazardous substances can leak into the groundwater and get into the food chain, damaging your health and well-being. When replacing old appliances with new ones, the retailer is legally obligated to take back your old appliance for disposals at least free of charge.

These mounting methods are designed for front side to allow module loading of 3600Pa and back side to allow module loading of 1600Pa (a safety factor of 1.5) .

**Table 1: Specifications for EG –series photovoltaic modules under STC(Single Glass Module)**

Type of cells	Type of Module	Maximum power Pmax (W)	Operating Voltage Vmp (V)	Operating Current Imp (A)	Open Circuit Voltage Voc (V)	Short Circuit Current Isc (A)	Max.Series Fuse Rating(A)	system voltage(V)
182 108 cells mono	EG-385M54-HLV	385	30.54	12.61	36.44	13.36	25	1500
	EG-390M54-HLV	390	30.79	12.67	36.69	13.42	25	1500
	EG-395M54-HLV	395	31.03	12.73	36.93	13.48	25	1500
	EG-400M54-HLV	400	31.28	12.79	37.18	13.54	25	1500
	EG-405M54-HLV	405	31.52	12.85	37.42	13.60	25	1500
	EG-410M54-HLV	410	31.76	12.91	37.66	13.66	25	1500
	EG-415M54-HLV	415	32.00	12.97	37.90	13.72	25	1500
	EG-420M54-HLV	420	32.24	13.03	38.14	13.78	25	1500
	EG-425M54-HLV	425	32.47	13.09	38.37	13.84	25	1500
182 120 cells mono	EG-425M60-HLV	425	34.00	12.50	40.80	13.25	25	1500
	EG-430M60-HLV	430	34.24	12.56	41.04	13.31	25	1500
	EG-435M60-HLV	435	34.47	12.62	41.27	13.37	25	1500
	EG-440M60-HLV	440	34.71	12.68	41.51	13.43	25	1500
	EG-445M60-HLV	445	34.93	12.74	41.73	13.49	25	1500
	EG-450M60-HLV	450	35.16	12.80	41.96	13.55	25	1500
	EG-455M60-HLV	455	35.39	12.86	42.19	13.61	25	1500
	EG-460M60-HLV	460	35.61	12.92	42.41	13.67	25	1500
	EG-465M60-HLV	465	35.83	12.98	42.63	13.73	25	1500
	EG-470M60-HLV	470	36.05	13.04	42.85	13.79	25	1500
	EG-475M60-HLV	475	36.26	13.10	43.06	13.85	25	1500
182 144cells mono	EG-510M72-HLV	510	40.71	12.53	48.98	13.28	25	1500
	EG-515M72-HLV	515	40.91	12.59	49.18	13.34	25	1500
	EG-520M72-HLV	520	41.11	12.65	49.38	13.40	25	1500





	EG-525M72-HLV	525	41.34	12.70	49.50	13.45	25	1500
	EG-530M72-HLV	530	41.57	12.75	49.63	13.50	25	1500
	EG-535M72-HLV	535	41.80	12.80	49.76	13.55	25	1500
	EG-540M72-HLV	540	42.03	12.85	49.89	13.60	25	1500
	EG-545M72-HLV	545	42.25	12.90	50.10	13.65	25	1500
	EG-550M72-HLV	550	42.48	12.95	50.32	13.70	25	1500
	EG-555M72-HLV	555	42.70	13.00	50.54	13.75	25	1500
	EG-560M72-HLV	560	42.92	13.05	50.76	13.80	25	1500
	EG-565M72-HLV	565	43.13	13.10	50.94	13.85	25	1500
182 156 cells mono	EG-585M78-HLV	585	45.49	12.86	53.50	13.52	25	1500
	EG-590M78-HLV	590	45.71	12.91	53.70	13.57	25	1500
	EG-595M78-HLV	595	45.92	12.96	53.90	13.62	25	1500
	EG-600M78-HLV	600	46.12	13.01	54.10	13.67	25	1500
	EG-605M78-HLV	605	46.33	13.06	54.30	13.72	25	1500
	EG-610M78-HLV	610	46.53	13.11	54.50	13.77	25	1500

Temperature coefficients for open circuit voltage, short circuit current and maximum power(%/°C): Pmax=-0.35; Isc=0.05A; Voc=-0.275V

182 108 cells N-mono	EG-405NT54-HLV	405	30.90	13.11	37.46	13.89	25	1500
	EG-410NT54-HLV	410	31.14	13.17	37.70	13.92	25	1500
	EG-415NT54-HLV	415	31.33	13.25	37.89	14.00	25	1500
	EG-420NT54-HLV	420	31.51	13.33	38.08	14.08	25	1500
	EG-425NT54-HLV	425	31.70	13.41	38.26	14.16	25	1500
	EG-430NT54-HLV	430	31.88	13.49	38.44	14.24	25	1500
	EG-435NT54-HLV	435	32.06	13.57	38.62	14.32	25	1500
	EG-440NT54-HLV	440	32.24	13.65	38.80	14.40	25	1500
	EG-445NT54-HLV	445	32.42	13.73	38.98	14.48	25	1500
	EG-450NT54-HLV	450	32.59	13.81	39.16	14.56	25	1500
182 120 cells	EG-455NT60-HLV	455	34.48	13.20	41.88	13.92	25	1500
	EG-460NT60-HLV	460	34.64	13.28	42.11	14.00	25	1500
	EG-465NT60-HLV	465	34.81	13.36	42.35	14.08	25	1500



N-mono	EG-470NT60-HLV	470	34.98	13.44	42.63	14.16	25	1500	
	EG-475NT60-HLV	475	35.14	13.52	42.84	14.24	25	1500	
	EG-480NT60-HLV	480	35.30	13.60	43.07	14.32	25	1500	
	EG-485NT60-HLV	485	35.46	13.68	43.30	14.40	25	1500	
	EG-490NT60-HLV	490	35.62	13.76	43.52	14.48	25	1500	
	EG-495NT60-HLV	495	35.77	13.84	43.74	14.56	25	1500	
182 144 cells	EG-540NT72-HLV	540	41.04	13.16	50.10	13.95	25	1500	
	EG-545NT72-HLV	545	41.23	13.22	50.25	14.01	25	1500	
	EG-550NT72-HLV	550	41.42	13.28	50.40	14.07	25	1500	
	EG-555NT72-HLV	555	41.61	13.34	50.55	14.13	25	1500	
	EG-560NT72-HLV	560	41.80	13.40	50.70	14.19	25	1500	
	EG-565NT72-HLV	565	41.98	13.46	50.85	14.25	25	1500	
	EG-570NT72-HLV	570	42.17	13.52	51.00	14.31	25	1500	
	N-mono	EG-575NT72-HLV	575	42.35	13.58	51.15	14.37	25	1500
	EG-580NT72-HLV	580	42.53	13.64	51.30	14.43	25	1500	
	EG-585NT72-HLV	585	42.71	13.70	51.45	14.49	25	1500	
	EG-590NT72-HLV	590	42.88	13.76	51.62	14.55	25	1500	
	EG-595NT72-HLV	595	43.06	13.82	51.80	14.61	25	1500	
182 156 cells	EG-585NT78-HLV	585	44.66	13.10	54.48	13.82	25	1500	
	EG-590NT78-HLV	590	44.84	13.16	54.63	13.89	25	1500	
	EG-595NT78-HLV	595	44.98	13.23	54.78	13.96	25	1500	
	EG-600NT78-HLV	600	45.12	13.30	54.93	14.03	25	1500	
	EG-605NT78-HLV	605	45.26	13.37	55.08	14.10	25	1500	
	EG-610NT78-HLV	610	45.39	13.44	55.23	14.17	25	1500	
	N-mono	EG-615NT78-HLV	615	45.53	13.51	55.38	14.24	25	1500
	EG-620NT78-HLV	620	45.66	13.58	55.53	14.31	25	1500	
	EG-625NT78-HLV	625	45.79	13.65	55.68	14.38	25	1500	
	EG-630NT78-HLV	630	45.92	13.72	55.83	14.45	25	1500	
Temperature coefficients for open circuit voltage, short circuit current and maximum power (%/°C) : Pmax=-0.29W; Isc=0.046A; Voc=-0.24V									

210 108 cells mono	EG-510M54-HUV	510	29.83	17.10	36.22	18.15	30	1500
	EG-515M54-HUV	515	30.00	17.17	36.39	18.21	30	1500
	EG-520M54-HUV	520	30.20	17.22	36.59	18.27	30	1500
	EG-525M54-HUV	525	30.39	17.28	36.78	18.33	30	1500
	EG-530M54-HUV	530	30.57	17.34	36.96	18.39	30	1500
	EG-535M54-HUV	535	30.75	17.40	37.14	18.45	30	1500
	EG-540M54-HUV	540	30.93	17.46	37.32	18.51	30	1500
	EG-545M54-HUV	545	31.11	17.52	37.50	18.57	30	1500
	EG-550M54-HUV	550	31.29	17.58	37.68	18.63	30	1500
	EG-555M54-HUV	555	31.47	17.64	37.86	18.69	30	1500
	EG-560M54-HUV	560	31.64	17.70	38.03	18.75	30	1500
	EG-565M54-HUV	565	31.82	17.76	38.21	18.81	30	1500
210 120cells mono	EG-570M60-HUV	570	33.24	17.15	40.34	18.20	30	1500
	EG-575M60-HUV	575	33.44	17.20	40.54	18.25	30	1500
	EG-580M60-HUV	580	33.63	17.25	40.73	18.30	30	1500
	EG-585M60-HUV	585	33.82	17.30	40.92	18.35	30	1500
	EG-590M60-HUV	590	34.01	17.35	41.11	18.40	30	1500
	EG-595M60-HUV	595	34.20	17.40	41.30	18.45	30	1500
	EG-600M60-HUV	600	34.39	17.45	41.49	18.50	30	1500
	EG-605M60-HUV	605	34.60	17.49	41.70	18.54	30	1500
	EG-610M60-HUV	610	34.78	17.54	41.90	18.59	30	1500
	EG-615M60-HUV	615	34.97	17.59	42.10	18.64	30	1500
	EG-620M60-HUV	620	35.15	17.64	42.28	18.69	30	1500
	EG-625M60-HUV	625	35.34	17.69	42.47	18.74	30	1500
EG-630M60-HUV	630	35.52	17.74	42.65	18.79	30	1500	
210 132cells mono	EG-640M66-HUV	640	37.24	17.19	45.05	18.24	30	1500
	EG-645M66-HUV	645	37.37	17.26	45.20	18.31	30	1500
	EG-650M66-HUV	650	37.51	17.33	45.34	18.38	30	1500
	EG-655M66-HUV	655	37.67	17.39	45.49	18.44	30	1500
	EG-660M66-HUV	660	37.83	17.45	45.64	18.50	30	1500

	EG-665M66-HUV	665	38.00	17.50	45.80	18.55	30	1500
	EG-670M66-HUV	670	38.16	17.56	45.97	18.61	30	1500
	EG-675M66-HUV	675	38.31	17.62	46.12	18.67	30	1500

Temperature coefficients for open circuit voltage, short circuit current and maximum power (%/°C) : Pmax=-0.34; Isc=0.04; Voc=-0.25

188R 108cells N-mono	EG-425NT54-HRbV	425	31.89	13.33	38.24	14.09	25	1500
	EG-430NT54-HRbV	430	32.07	13.41	38.44	14.17	25	1500
	EG-435NT54-HRbV	435	32.25	13.49	38.64	14.26	25	1500
	EG-440NT54-HRbV	440	32.43	13.57	38.84	14.34	25	1500
	EG-445NT54-HRbV	445	32.61	13.65	39.04	14.43	25	1500
	EG-450NT54-HRbV	450	32.78	13.73	39.24	14.51	25	1500
	EG-455NT54-HRbV	455	32.95	13.81	39.44	14.59	25	1500
	EG-460NT54-HRbV	460	33.12	13.89	39.64	14.67	25	1500
188R 120cells N-mono	EG-475NT60-HRbV	475	35.64	13.33	42.72	14.10	25	1500
	EG-480NT60-HRbV	480	35.83	13.40	42.92	14.17	25	1500
	EG-485NT60-HRbV	485	36.01	13.47	43.12	14.24	25	1500
	EG-490NT60-HRbV	490	36.19	13.54	43.32	14.31	25	1500
	EG-495NT60-HRbV	495	36.37	13.61	43.52	14.38	25	1500
	EG-500NT60-HRbV	500	36.55	13.68	43.72	14.45	25	1500
	EG-505NT60-HRbV	505	36.73	13.75	43.92	14.52	25	1500
	EG-510NT60-HRbV	510	36.91	13.82	44.12	14.59	25	1500
188R 144cells N-mono	EG-575NT72-HRbV	575	42.76	13.45	51.25	14.21	25	1500
	EG-580NT72-HRbV	580	42.94	13.51	51.45	14.27	25	1500
	EG-585NT72-HRbV	585	43.11	13.57	51.65	14.33	25	1500
	EG-590NT72-HRbV	590	43.29	13.63	51.85	14.39	25	1500
	EG-595NT72-HRbV	595	43.47	13.69	52.05	14.45	25	1500
	EG-600NT72-HRbV	600	43.64	13.75	52.25	14.51	25	1500
	EG-605NT72-HRbV	605	43.81	13.81	52.45	14.57	25	1500
	EG-610NT72-HRbV	610	43.98	13.87	52.65	14.63	25	1500
192R	EG-430NT54-HRaV	430	31.39	13.70	37.83	14.49	25	1500



108cells N-mono	EG-435NT54-HRaV	435	31.62	13.76	38.11	14.55	25	1500
	EG-440NT54-HRaV	440	31.84	13.82	38.39	14.61	25	1500
	EG-445NT54-HRaV	445	32.07	13.88	38.65	14.67	25	1500
	EG-450NT54-HRaV	450	32.29	13.94	38.92	14.73	25	1500
	EG-455NT54-HRaV	455	32.50	14.00	39.18	14.79	25	1500
	EG-460NT54-HRaV	460	32.72	14.06	39.45	14.85	25	1500
192R 120cells N-mono	EG-480NT60-HRaV	480	35.20	13.64	42.40	14.45	25	1500
	EG-485NT60-HRaV	485	35.38	13.71	42.58	14.52	25	1500
	EG-490NT60-HRaV	490	35.56	13.78	42.76	14.59	25	1500
	EG-495NT60-HRaV	495	35.74	13.85	42.94	14.66	25	1500
	EG-500NT60-HRaV	500	35.92	13.92	43.12	14.73	25	1500
	EG-505NT60-HRaV	505	36.10	13.99	43.30	14.80	25	1500
192R 144cells N-mono	EG-510NT60-HRaV	510	36.28	14.06	43.48	14.87	25	1500
	EG-580NT72-HRaV	580	42.40	13.68	51.18	14.47	25	1500
	EG-585NT72-HRaV	585	42.58	13.74	51.33	14.53	25	1500
	EG-590NT72-HRaV	590	42.76	13.80	51.50	14.59	25	1500
	EG-595NT72-HRaV	595	42.90	13.87	51.67	14.65	25	1500
	EG-600NT72-HRaV	600	43.08	13.93	51.84	14.71	25	1500
210R 132cells N-mono	EG-605NT72-HRaV	605	43.25	13.99	52.01	14.77	25	1500
	EG-610NT72-HRaV	610	43.42	14.05	52.18	14.83	25	1500
	EG-615NT72-HRaV	615	43.59	14.11	52.35	14.89	25	1500
	EG-620NT72-HRaV	620	43.76	14.17	52.52	14.95	25	1500
	EG-585NT66-HRcV	585	39.59	14.78	47.56	15.68	30	1500
	EG-590NT66-HRcV	590	39.77	14.84	47.78	15.74	30	1500
210R 132cells N-mono	EG-595NT66-HRcV	595	39.94	14.90	47.99	15.80	30	1500
	EG-600NT66-HRcV	600	40.11	14.96	48.22	15.86	30	1500
	EG-605NT66-HRcV	605	40.28	15.02	48.44	15.92	30	1500
	EG-610NT66-HRcV	610	40.46	15.08	48.67	15.97	30	1500
	EG-615NT66-HRcV	615	40.63	15.14	48.89	16.03	30	1500

Temperature coefficients for open circuit voltage, short circuit current and maximum power (%/°C) : Pmax=-0.29; Isc=0.046; Voc=-0.24

**Table2: Specifications for EG –series photovoltaic modules under STC/BNPI/BSI (Double Glass Module)**

Type of cells	Type of Module	STC condition					BNPI condition			BSI condition	Max.Series Fuse Rating(A)
		Pmax (W)	Vmp (V)	Imp (A)	Voc\ (V)	Isc (A)	Pmax (W)	Voc (V)	Isc (A)	Isc (A)	
120 cells mono	EG-425M60-HL/BF-DG	425	34.06	12.48	40.86	13.23	465	40.88	14.48	16.01	30
	EG-430M60-HL/BF-DG	430	34.30	12.54	41.10	13.29	471	41.12	14.55	16.08	30
	EG-435M60-HL/BF-DG	435	34.53	12.60	41.33	13.35	476	41.34	14.61	16.15	30
	EG-440M60-HL/BF-DG	440	34.76	12.66	41.57	13.41	482	41.59	14.68	16.23	30
	EG-445M60-HL/BF-DG	445	34.99	12.72	41.79	13.47	487	41.80	14.74	16.30	30
	EG-450M60-HL/BF-DG	450	35.22	12.78	42.02	13.53	493	41.04	14.81	16.37	30
	EG-455M60-HL/BF-DG	455	35.44	12.84	42.25	13.59	498	42.26	14.87	16.44	30
	EG-460M60-HL/BF-DG	460	35.66	12.90	42.47	13.65	503	42.48	14.94	16.52	30
	EG-465M60-HL/BF-DG	465	35.88	12.96	42.69	13.71	509	42.70	15.01	16.59	30
	EG-470M60-HL/BF-DG	470	36.10	13.02	42.91	13.77	514	42.92	15.07	16.66	30
EG-475M60-HL/BF-DG	475	36.32	13.08	43.13	13.83	519	43.14	15.14	16.73	30	
144 cells mono	EG-510M72-HL/BF-DG	510	40.77	12.51	49.00	13.26	558	49.01	14.51	16.04	30
	EG-515M72-HL/BF-DG	515	40.98	12.57	49.20	13.32	564	49.22	14.58	16.12	30
	EG-520M72-HL/BF-DG	520	41.18	12.63	49.40	13.38	569	49.41	14.64	16.19	30
	EG-525M72-HL/BF-DG	525	41.41	12.68	49.52	13.43	575	49.54	14.70	16.25	30
	EG-530M72-HL/BF-DG	530	41.64	12.73	49.65	13.48	580	49.66	14.75	16.31	30
	EG-535M72-HL/BF-DG	535	41.87	12.78	49.78	13.53	586	49.80	14.81	16.37	30
	EG-540M72-HL/BF-DG	540	42.09	12.83	49.91	13.58	591	49.92	14.86	16.43	30
	EG-545M72-HL/BF-DG	545	42.32	12.88	50.12	13.63	597	50.15	14.92	16.49	30
	EG-550M72-HL/BF-DG	550	42.54	12.93	50.34	13.68	602	50.36	14.97	16.55	30
	EG-555M72-HL/BF-DG	555	42.76	12.98	50.55	13.73	607	50.57	15.03	16.61	30
156 cells mono	EG-560M72-HL/BF-DG	560	42.98	13.03	50.72	13.78	613	50.73	15.08	16.67	30
	EG-565M72-HL/BF-DG	565	43.20	13.08	50.94	13.83	618	50.95	15.14	16.73	30
	EG-550M78-HL/BF-DG	555	43.88	12.65	52.74	13.40	607	52.75	14.67	16.21	30
156 cells mono	EG-560M78-HL/BF-DG	560	44.10	12.70	52.95	13.45	613	52.97	14.72	16.27	30
	EG-565M78-HL/BF-DG	565	44.32	12.75	53.17	13.50	618	53.17	14.78	16.33	30

EG-570M78-HL/BF-DG	570	44.54	12.80	53.27	13.55	624	53.30	14.83	16.40	30
EG-575M78-HL/BF-DG	575	44.75	12.85	53.36	13.60	629	53.38	14.88	16.46	30
EG-580M78-HL/BF-DG	580	44.97	12.90	53.47	13.65	635	53.49	14.94	16.52	30
EG-585M78-HL/BF-DG	585	45.18	12.95	53.58	13.70	640	53.59	14.99	16.58	30
EG-590M78-HL/BF-DG	590	45.39	13.00	53.76	13.75	646	53.78	15.05	16.64	30
EG-595M78-HL/BF-DG	595	45.60	13.05	53.97	13.80	651	53.99	15.10	16.70	30
EG-600M78-HL/BF-DG	600	45.81	13.10	54.16	13.85	657	54.18	15.16	16.76	30
EG-605M78-HL/BF-DG	605	46.01	13.15	54.30	13.90	662	54.32	15.21	16.82	30
EG-610M78-HL/BF-DG	610	46.22	13.20	54.51	13.95	668	54.53	15.27	16.88	30
EG-615M78-HL/BF-DG	615	46.42	13.25	54.71	14.00	673	54.72	15.32	16.94	30

**Bifaciality Coefficient:**

$$\phi \text{ Isc} = [\text{Isc}(\text{back})] / [\text{Isc}(\text{front})] = 70\% \pm 5\%$$

$$\phi \text{ Voc} = [\text{Voc}(\text{back})] / [\text{Voc}(\text{front})] = 99\% \pm 1\%$$

$$\phi \text{ Pmmp} = [\text{Pmmp}(\text{back})] / [\text{Pmmp}(\text{front})] = 70\% \pm 5\%$$

**Temperature coefficients for open circuit voltage, short circuit current and maximum power (%/°C) : Pmax=-0.350; Isc=0.05; Voc=-0.275**

182 108 cells N-mono	EG-405NT54-HL/BF-DG	405	30.90	13.11	37.46	13.89	448	37.47	15.39	17.22	30
	EG-410NT54-HL/BF-DG	410	31.09	13.19	37.65	13.98	454	37.67	15.48	17.33	30
	EG-415NT54-HL/BF-DG	415	31.28	13.27	37.84	14.07	459	37.86	15.58	17.45	30
	EG-420NT54-HL/BF-DG	420	31.47	13.35	38.03	14.16	465	38.05	15.68	17.56	30
	EG-425NT54-HL/BF-DG	425	31.65	13.43	38.21	14.24	470	38.23	15.77	17.66	30
	EG-430NT54-HL/BF-DG	430	31.83	13.51	38.39	14.32	476	38.40	15.86	17.75	30
	EG-435NT54-HL/BF-DG	435	32.01	13.59	38.57	14.40	481	38.58	15.95	17.86	30
	EG-440NT54-HL/BF-DG	440	32.19	13.67	38.75	14.48	487	38.76	16.04	17.96	30
	EG-445NT54-HL/BF-DG	445	32.37	13.75	38.93	14.57	493	38.95	16.14	18.07	30
	EG-450NT54-HL/BF-DG	450	32.54	13.83	39.11	14.65	498	39.12	16.23	18.16	30
182 120 cells N-mono	EG-450NT60-HL/BF-DG	450	34.33	13.11	41.55	13.90	498	41.56	15.40	17.24	30
	EG-455NT60-HL/BF-DG	455	34.55	13.17	41.78	13.96	504	41.80	15.46	17.31	30
	EG-460NT60-HL/BF-DG	460	34.77	13.23	42.01	14.02	509	42.02	15.53	17.38	30
	EG-465NT60-HL/BF-DG	465	34.99	13.29	42.25	14.08	515	42.26	15.60	17.46	30
	EG-470NT60-HL/BF-DG	470	35.21	13.35	42.53	14.13	520	42.55	15.65	17.52	30

	EG-475NT60-HL/BF-DG	475	35.43	13.41	42.74	14.20	526	42.75	15.73	17.60	30
	EG-480NT60-HL/BF-DG	480	35.64	13.47	42.97	14.26	531	42.98	15.80	17.68	30
	EG-485NT60-HL/BF-DG	485	35.85	13.53	43.20	14.32	537	43.22	15.86	17.76	30
	EG-490NT60-HL/BF-DG	490	36.06	13.59	43.42	14.38	542	43.43	15.93	17.83	30
	EG-495NT60-HL/BF-DG	495	36.27	13.65	43.64	14.44	548	43.65	16.00	17.91	30
182 144cells N-mono	EG-540NT72-HL/BF-DG	540	41.23	13.10	49.89	13.89	598	49.91	15.39	17.22	30
	EG-545NT72-HL/BF-DG	545	41.42	13.16	50.08	13.95	603	50.10	15.45	17.29	30
	EG-550NT72-HL/BF-DG	550	41.61	13.22	50.27	14.01	609	50.29	15.52	17.37	30
	EG-555NT72-HL/BF-DG	555	41.80	13.28	50.47	14.07	614	50.49	15.58	17.45	30
	EG-560NT72-HL/BF-DG	560	41.98	13.34	50.70	14.12	620	50.73	15.64	17.51	30
	EG-565NT72-HL/BF-DG	565	42.17	13.40	50.87	14.19	626	50.89	15.72	17.59	30
	EG-570NT72-HL/BF-DG	570	42.35	13.46	51.06	14.25	631	51.07	15.79	17.67	30
	EG-575NT72-HL/BF-DG	575	42.53	13.52	51.24	14.31	637	51.27	15.86	17.74	30
	EG-580NT72-HL/BF-DG	580	42.71	13.58	51.42	14.37	642	51.44	15.92	17.82	30
	EG-585NT72-HL/BF-DG	585	42.89	13.64	51.60	14.43	648	51.62	15.98	17.89	30
	EG-590NT72-HL/BF-DG	590	43.07	13.70	51.78	14.49	653	51.78	16.05	17.97	30
	EG-595NT72-HL/BF-DG	595	43.25	13.76	51.96	14.55	659	51.97	16.12	18.04	30
182 156cells N-mono	EG-585NT78-HL/BF-DG	585	44.66	13.1	54.61	13.72	648	54.63	15.20	17.01	30
	EG-590NT78-HL/BF-DG	590	44.84	13.16	54.75	13.78	653	54.77	15.26	17.09	30
	EG-595NT78-HL/BF-DG	595	45.01	13.22	54.89	13.84	659	54.90	15.33	17.16	30
	EG-600NT78-HL/BF-DG	600	45.19	13.28	55.03	13.9	664	55.05	15.40	17.24	30
	EG-605NT78-HL/BF-DG	605	45.36	13.34	55.17	13.95	670	55.19	15.45	17.30	30
	EG-610NT78-HL/BF-DG	610	45.53	13.4	55.31	14.02	675	55.33	15.53	17.38	30
	EG-615NT78-HL/BF-DG	615	45.7	13.46	55.45	14.08	681	55.47	15.60	17.46	30
	EG-620NT78-HL/BF-DG	620	45.86	13.52	55.59	14.14	686	55.61	15.66	17.53	30
	EG-625NT78-HL/BF-DG	625	46.03	13.58	55.73	14.2	692	55.75	15.73	17.61	30
	EG-630NT78-HL/BF-DG	630	46.19	13.64	55.87	14.26	698	55.89	15.80	17.68	30
	EG-635NT78-HL/BF-DG	635	46.36	13.70	56.04	14.32	703	56.06	15.86	17.76	30
	EG-640NT78-HL/BF-DG	640	46.52	13.76	56.21	14.38	709	56.23	15.93	17.83	30
EG-645NT78-HL/BF-DG	645	46.68	13.82	56.38	14.44	714	56.40	16.00	17.90	30	



**Bifaciality Coefficient:**

$$\phi \text{ Isc} = [\text{Isc}(\text{back})] / [\text{Isc}(\text{front})] = 80\% \pm 10\%$$

$$\phi \text{ Voc} = [\text{Voc}(\text{back})] / [\text{Voc}(\text{front})] = 98\% \pm 2\%$$

$$\phi \text{ Pmmp} = [\text{Pmmp}(\text{back})] / [\text{Pmmp}(\text{front})] = 80\% \pm 10\%$$

Temperature coefficients for open circuit voltage, short circuit current and maximum power (%/°C) : Pmax=-0.29; Isc=0.046; Voc=-0.24

210 108 cells mono	EG-510M54-HU/BF-DG	510	30.00	17.00	36.38	18.06	558	36.40	19.77	21.85	35
	EG-515M54-HU/BF-DG	515	30.17	17.07	36.58	18.12	564	36.60	19.83	21.93	35
	EG-520M54-HU/BF-DG	520	30.38	17.12	36.77	18.18	569	36.78	19.90	22.00	35
	EG-525M54-HU/BF-DG	525	30.56	17.18	36.95	18.24	575	36.97	19.96	22.07	35
	EG-530M54-HU/BF-DG	530	30.75	17.24	37.13	18.30	580	37.14	20.03	22.14	35
	EG-535M54-HU/BF-DG	535	30.93	17.30	37.31	18.36	586	37.32	20.10	22.22	35
	EG-540M54-HU/BF-DG	540	31.11	17.36	37.49	18.42	591	37.51	20.16	22.29	35
	EG-545M54-HU/BF-DG	545	31.29	17.42	37.67	18.48	596	37.69	20.23	22.36	35
	EG-550M54-HU/BF-DG	550	31.47	17.48	37.85	18.54	602	37.86	20.29	22.43	35
	EG-555M54-HU/BF-DG	555	31.65	17.54	38.02	18.60	607	38.03	20.36	22.51	35
	EG-560M54-HU/BF-DG	560	31.82	17.60	38.20	18.66	613	38.22	20.42	22.58	35
	EG-565M54-HU/BF-DG	565	32.00	17.66	38.38	18.72	618	38.39	20.49	22.65	35
210 120 cells mono	EG-570M60-HU/BF-DG	570	33.44	17.05	40.54	18.10	624	40.55	19.81	21.90	35
	EG-575M60-HU/BF-DG	575	33.63	17.10	40.73	18.15	629	40.74	19.87	21.96	35
	EG-580M60-HU/BF-DG	580	33.82	17.15	40.92	18.20	635	40.94	19.92	22.02	35
	EG-585M60-HU/BF-DG	585	34.02	17.20	41.12	18.25	640	41.13	19.97	22.08	35
	EG-590M60-HU/BF-DG	590	34.21	17.25	41.31	18.30	646	41.32	20.03	22.14	35
	EG-595M60-HU/BF-DG	595	34.40	17.30	41.50	18.35	651	41.51	20.08	22.20	35
	EG-600M60-HU/BF-DG	600	34.59	17.35	41.69	18.40	657	41.70	20.14	22.26	35
	EG-605M60-HU/BF-DG	605	34.80	17.39	41.90	18.44	662	41.91	20.18	22.31	35
	EG-610M60-HU/BF-DG	610	34.98	17.44	42.10	18.49	668	42.12	20.24	22.37	35
	EG-615M60-HU/BF-DG	615	35.17	17.49	42.29	18.54	673	42.30	20.29	22.43	35
	EG-620M60-HU/BF-DG	620	35.35	17.54	42.47	18.59	679	42.49	20.35	22.49	35
	EG-625M60-HU/BF-DG	625	35.54	17.59	42.66	18.64	684	42.67	20.40	22.55	35
EG-630M60-HU/BF-DG	630	35.72	17.64	42.84	18.69	690	42.85	20.46	22.61	35	

210 132cells mono	EG-640M66-HU/BF-DG	640	37.43	17.10	45.26	18.14	700	45.28	19.85	21.95	35
	EG-645M66-HU/BF-DG	645	37.59	17.16	45.42	18.21	706	45.44	19.93	22.03	35
	EG-650M66-HU/BF-DG	650	37.73	17.23	45.56	18.28	711	45.57	20.01	22.12	35
	EG-655M66-HU/BF-DG	655	37.89	17.29	45.71	18.34	717	45.72	20.07	22.19	35
	EG-660M66-HU/BF-DG	660	38.04	17.35	45.85	18.40	722	45.87	20.14	22.26	35
	EG-665M66-HU/BF-DG	665	38.22	17.40	46.02	18.45	728	46.04	20.19	22.32	35
	EG-670M66-HU/BF-DG	670	38.38	17.46	46.20	18.51	733	46.21	20.26	22.40	35
	EG-675M66-HU/BF-DG	675	38.53	17.52	46.35	18.57	739	46.37	20.32	22.47	35
	EG-680M66-HU/BF-DG	680	38.69	17.58	46.51	18.63	744	46.52	20.39	22.54	35
<b>Bifaciality Coefficient:</b>											
$\phi \text{ Isc} = [\text{Isc}(\text{back})] / [\text{Isc}(\text{front})] = 70\% \pm 5\%$											
$\phi \text{ Voc} = [\text{Voc}(\text{back})] / [\text{Voc}(\text{front})] = 99\% \pm 1\%$											
$\phi \text{ Pmmp} = [\text{Pmmp}(\text{back})] / [\text{Pmmp}(\text{front})] = 70\% \pm 1\%$											
<b>Temperature coefficients for open circuit voltage, short circuit current and maximum power (%/°C) : Pmax=-0.34; Isc=0.04; Voc=-0.25</b>											

210 120cells N-mono	EG-600NT60-HU/BF-DG	600	35.30	17.00	42.42	18.01	665	42.43	19.96	22.33	35
	EG-605NT60-HU/BF-DG	605	35.51	17.04	42.62	18.05	670	42.63	20.00	22.38	35
	EG-610NT60-HU/BF-DG	610	35.74	17.07	42.83	18.08	676	42.84	20.03	22.42	35
	EG-615NT60-HU/BF-DG	615	35.97	17.10	43.05	18.12	681	43.06	20.08	22.47	35
	EG-620NT60-HU/BF-DG	620	36.18	17.14	43.27	18.16	687	43.28	20.12	22.52	35
	EG-625NT60-HU/BF-DG	625	36.41	17.17	43.49	18.20	693	43.50	20.17	22.57	35
	EG-630NT60-HU/BF-DG	630	36.61	17.21	43.69	18.24	698	43.71	20.21	22.62	35
	EG-635NT60-HU/BF-DG	635	36.84	17.24	43.92	18.27	704	43.93	20.24	22.65	35
	EG-640NT60-HU/BF-DG	640	37.04	17.28	44.12	18.31	709	44.14	20.29	22.70	35
	EG-645NT60-HU/BF-DG	645	37.27	17.31	44.33	18.35	715	44.34	20.33	22.75	35
	EG-650NT60-HU/BF-DG	650	37.47	17.35	44.54	18.39	720	44.55	20.38	22.80	35
	EG-655NT60-HU/BF-DG	655	37.69	17.38	44.74	18.43	726	44.76	20.42	22.85	35
210 132cells N-mono	EG-660NT66-HU/BF-DG	660	38.78	17.02	46.61	18.03	731	46.63	19.98	22.36	35
	EG-665NT66-HU/BF-DG	665	38.99	17.06	46.78	18.07	737	46.79	20.02	22.41	35
	EG-670NT66-HU/BF-DG	670	39.21	17.09	47.01	18.10	742	47.02	20.05	22.44	35
	EG-675NT66-HU/BF-DG	675	39.43	17.12	47.22	18.14	748	47.24	20.10	22.49	35

EG-680NT66-HU/BF-DG	680	39.63	17.16	47.43	18.18	753	47.45	20.14	22.54	35
EG-685NT66-HU/BF-DG	685	39.85	17.19	47.64	18.22	759	47.66	20.19	22.59	35
EG-690NT66-HU/BF-DG	690	40.05	17.23	47.84	18.26	765	47.86	20.23	22.64	35
EG-695NT66-HU/BF-DG	695	40.27	17.26	48.05	18.29	770	48.07	20.27	22.68	35
EG-700NT66-HU/BF-DG	700	40.47	17.30	48.25	18.33	776	48.26	20.31	22.73	35
EG-705NT66-HU/BF-DG	705	40.66	17.34	48.46	18.38	781	48.48	20.37	22.79	35
EG-710NT66-HU/BF-DG	710	40.86	17.38	48.68	18.42	787	48.69	20.41	22.84	35
EG-715NT66-HU/BF-DG	715	41.05	17.42	48.90	18.47	792	48.91	20.46	22.90	35

**Bifaciality Coefficient:**

$\Phi I_{sc} = [I_{sc}(\text{back})] / [I_{sc}(\text{front})] = 80\% \pm 10\%$

$\Phi V_{oc} = [V_{oc}(\text{back})] / [V_{oc}(\text{front})] = 98\% \pm 2\%$

$\Phi P_{mmp} = [P_{mmp}(\text{back})] / [P_{mmp}(\text{front})] = 80\% \pm 10\%$

Temperature coefficients for open circuit voltage, short circuit current and maximum power (%/°C) :  $P_{max} = -0.29$ ;  $I_{sc} = 0.04$ ;  $V_{oc} = -0.24$

188R 108cells N-mono	EG-425NT54-HRb/BF-DG	425	31.94	13.31	38.28	14.07	471	38.30	15.59	17.44	30
	EG-430NT54-HRb/BF-DG	430	32.12	13.39	38.48	14.15	476	38.50	15.68	17.54	30
	EG-435NT54-HRb/BF-DG	435	32.30	13.47	38.68	14.24	482	38.69	15.78	17.65	30
	EG-440NT54-HRb/BF-DG	440	32.48	13.55	38.88	14.32	487	38.89	15.87	17.75	30
	EG-445NT54-HRb/BF-DG	445	32.65	13.63	39.08	14.41	493	39.09	15.97	17.86	30
	EG-450NT54-HRb/BF-DG	450	32.83	13.71	39.28	14.49	498	39.29	16.05	17.96	30
	EG-455NT54-HRb/BF-DG	455	33.00	13.79	39.48	14.57	504	39.49	16.14	18.06	30
	EG-460NT54-HRb/BF-DG	460	33.17	13.87	39.68	14.65	509	39.69	16.23	18.16	30
188R 120cells N-mono	EG-475NT60-HRb/BF-DG	475	35.67	13.32	42.77	14.08	526	42.78	15.60	17.46	30
	EG-480NT60-HRb/BF-DG	480	35.85	13.39	42.97	14.15	532	42.98	15.68	17.55	30
	EG-485NT60-HRb/BF-DG	485	36.04	13.46	43.17	14.22	537	43.17	15.76	17.63	30
	EG-490NT60-HRb/BF-DG	490	36.22	13.53	43.37	14.29	543	43.38	15.83	17.72	30
	EG-495NT60-HRb/BF-DG	495	36.40	13.60	43.57	14.36	548	43.58	15.91	17.81	30
	EG-500NT60-HRb/BF-DG	500	36.58	13.67	43.77	14.43	554	43.79	15.99	17.89	30
	EG-505NT60-HRb/BF-DG	505	36.76	13.74	43.97	14.50	560	43.99	16.07	17.98	30
	EG-510NT60-HRb/BF-DG	510	36.93	13.81	44.17	14.57	565	44.18	16.14	18.07	30
188R	EG-575NT72-HRb/BF-DG	575	42.82	13.43	51.31	14.19	637	51.32	15.72	17.60	30

144cells  N-mono	EG-580NT72-HRb/BF-DG	580	43.00	13.49	51.51	14.25	643	51.53	15.79	17.67	30
	EG-585NT72-HRb/BF-DG	585	43.18	13.55	51.71	14.31	648	51.73	15.86	17.74	30
	EG-590NT72-HRb/BF-DG	590	43.36	13.61	51.91	14.37	654	51.92	15.93	17.82	30
	EG-595NT72-HRb/BF-DG	595	43.53	13.67	52.11	14.43	659	52.12	15.99	17.89	30
	EG-600NT72-HRb/BF-DG	600	43.70	13.73	52.31	14.49	665	52.33	16.06	17.97	30
	EG-605NT72-HRb/BF-DG	605	43.88	13.79	52.51	14.55	670	52.52	16.12	18.04	30
	EG-610NT72-HRb/BF-DG	610	44.05	13.85	52.71	14.61	676	52.72	16.19	18.12	30
192R  108cells  N-mono	EG-430NT54-HRa/BF-DG	430	31.48	13.66	37.93	14.46	476	37.95	16.02	17.93	30
	EG-435NT54-HRa/BF-DG	435	31.71	13.72	38.21	14.52	481	38.22	16.08	18.00	30
	EG-440NT54-HRa/BF-DG	440	31.94	13.78	38.49	14.58	487	38.51	16.15	18.07	30
	EG-445NT54-HRa/BF-DG	445	32.16	13.84	38.75	14.64	493	38.77	16.22	18.15	30
	EG-450NT54-HRa/BF-DG	450	32.38	13.90	39.02	14.70	498	39.04	16.29	18.22	30
	EG-455NT54-HRa/BF-DG	455	32.60	13.96	39.28	14.76	504	39.29	16.35	18.30	30
	EG-460NT54-HRa/BF-DG	460	32.82	14.02	39.55	14.82	509	39.51	16.42	18.37	30
192R  120cells  N-mono	EG-480NT60-HRa/BF-DG	480	35.25	13.62	42.45	14.43	532	42.46	15.99	17.89	30
	EG-485NT60-HRa/BF-DG	485	35.43	13.69	42.63	14.50	537	42.64	16.07	17.98	30
	EG-490NT60-HRa/BF-DG	490	35.61	13.76	42.81	14.57	543	42.83	16.14	18.07	30
	EG-495NT60-HRa/BF-DG	495	35.79	13.83	42.99	14.64	548	43.00	16.22	18.15	30
	EG-500NT60-HRa/BF-DG	500	35.97	13.90	43.17	14.71	554	43.18	16.30	18.24	30
	EG-505NT60-HRa/BF-DG	505	36.15	13.97	43.35	14.78	560	43.38	16.38	18.33	30
	EG-510NT60-HRa/BF-DG	510	36.33	14.04	43.53	14.85	565	43.53	16.45	18.41	30
192R  144cells  N-mono	EG-580NT72-HRa/BF-DG	580	42.50	13.65	51.25	14.45	642	51.27	16.01	17.91	30
	EG-585NT72-HRa/BF-DG	585	42.67	13.71	51.40	14.51	648	51.42	16.08	17.99	30
	EG-590NT72-HRa/BF-DG	590	42.85	13.77	51.57	14.57	653	51.59	16.14	18.06	30
	EG-595NT72-HRa/BF-DG	595	43.00	13.84	51.74	14.63	659	51.75	16.21	18.14	30
	EG-600NT72-HRa/BF-DG	600	43.17	13.90	51.91	14.69	664	51.92	16.28	18.21	30
	EG-605NT72-HRa/BF-DG	605	43.34	13.96	52.08	14.75	670	52.10	16.34	18.29	30
	EG-610NT72-HRa/BF-DG	610	43.51	14.02	52.25	14.81	676	52.26	16.41	18.36	30
	EG-615NT72-HRa/BF-DG	615	43.68	14.08	52.42	14.87	681	52.43	16.48	18.43	30
EG-620NT72-HRa/BF-DG	620	43.85	14.14	52.60	14.93	686	52.62	16.54	18.51	30	

	EG-625NT72-HRa/BF-DG	625	44.02	14.20	52.77	14.99	693	52.79	16.61	18.59	30
	EG-630NT72-HRa/BF-DG	630	44.18	14.26	52.95	15.05	698	52.96	16.68	18.66	30
210R  132cells  N-mono	EG-585NT66-HRc/BF-DG	585	39.69	14.74	47.64	15.65	648	47.65	17.34	19.40	35
	EG-590NT66-HRc/BF-DG	590	39.87	14.80	47.87	15.71	653	47.88	17.40	19.48	35
	EG-595NT66-HRc/BF-DG	595	40.05	14.86	48.09	15.77	659	48.10	17.47	19.55	35
	EG-600NT66-HRc/BF-DG	600	40.22	14.92	48.30	15.82	664	48.32	17.52	19.61	35
	EG-605NT66-HRc/BF-DG	605	40.39	14.98	48.52	15.88	670	48.53	17.59	19.69	35
	EG-610NT66-HRc/BF-DG	610	40.56	15.04	48.74	15.93	675	48.75	17.65	19.75	35
	EG-615NT66-HRc/BF-DG	615	40.73	15.10	48.96	15.99	681	48.98	17.71	19.82	35

**Bifaciality Coefficient:**

$$\phi \text{ Isc} = [\text{Isc}(\text{back})] / [\text{Isc}(\text{front})] = 80\% \pm 10\%$$

$$\phi \text{ Voc} = [\text{Voc}(\text{back})] / [\text{Voc}(\text{front})] = 98\% \pm 2\%$$

$$\phi \text{ Pmmp} = [\text{Pmmp}(\text{back})] / [\text{Pmmp}(\text{front})] = 80\% \pm 10\%$$

Temperature coefficients for open circuit voltage, short circuit current and maximum power (%/°C) : Pmax=-0.29; Isc=0.046; Voc=-0.24